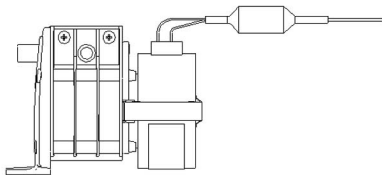


## Oil-Free Rotary Diaphragm Pump

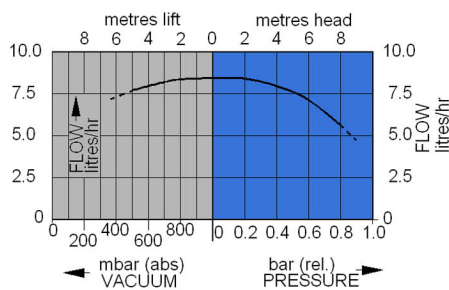
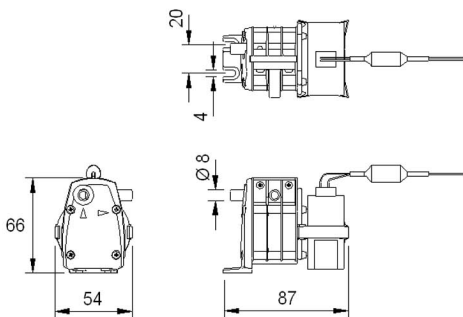
# RD01



RD01 single ended pump

**RD01** 0.35 Kg

dimensions: mm



Max Flow	8.0 l/hr
Max Lift (dry)	5.0 m
Max Head	8.0 m

### Motor Type

230V 50Hz Synchronous

### Performance

Model no.	max free flow l/hr	nominal max head metres	max lift (dry) metres
<b>RD01</b>	8.0	8.0	5.0

### Pump Material Options

component	standard	options
Diaphragm	Sarlink	-
Body	Polypropylene	Nylon, Noryl

### Application ideas

Application ideas include condensate removal for condensing boilers, integral lift pump for air conditioning units and dehumidifiers.

Please note - it is important that you ensure the motor specification stated and the range of materials offered in the pump are compatible with the performance, environmental limitations and chemical resistance requirements of the application.

For further information or details of our extensive range of pumps, contact our technical sales office who will be please to help you select the most suitable pump for your application.

S30-255/1

