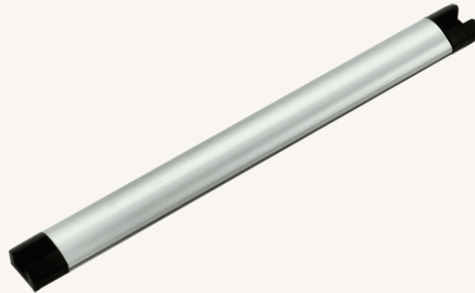


# TSS

series



---

## Terms of Use

The user is responsible for determining the suitability of TiMOTION products for a specific application.

Due to continuous development in order to improve our products, TiMOTION products are subject to frequent modifications and changes without prior notice.

TiMOTION reserves the right to discontinue the sale of any products displayed on its website or listed in its catalogue or other written materials drawn up by TiMOTION.

---

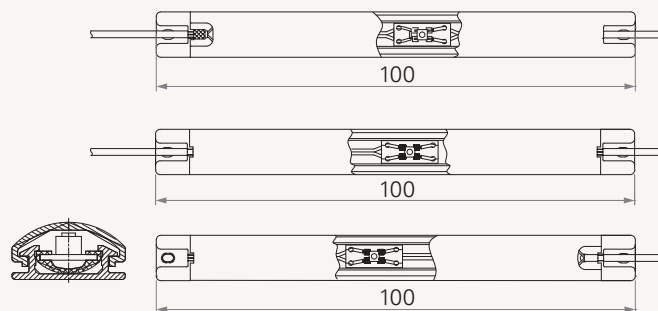
## General Features

Safety strip to limit the movement of actuators  
Customized length/number of sections

---

## Drawing

Standard Dimension




# TSS Ordering Key

TSS

Version: 20130510-B

---

	<b>Plug</b>	1 = DIN 4pin	2 = RJ 4pin, for TC5	3 = Tinned leads	A = Customized
--	-------------	--------------	----------------------	------------------	----------------