

TES

series



Terms of Use

The user is responsible for determining the suitability of TiMOTION products for a specific application.

Due to continuous development in order to improve our products, TiMOTION products are subject to frequent modifications and changes without prior notice.

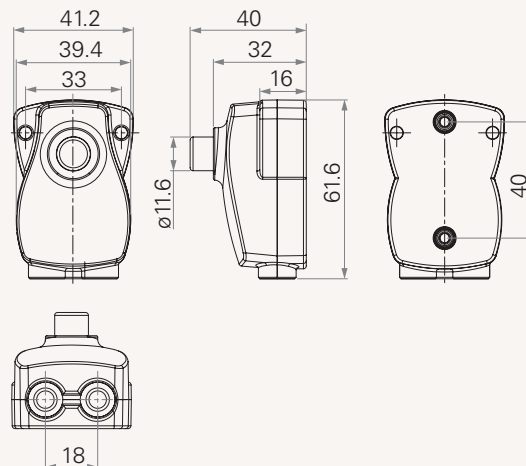
TiMOTION reserves the right to discontinue the sale of any products displayed on its website or listed in its catalogue or other written materials drawn up by TiMOTION.

General Features

External switch to limit the movement of actuators

Drawing





Standard Dimension



TES Ordering Key

TES

Version: 20130808-C

	Color	1 = Black	2 = Grey (Pantone 428C)		
	Function	1 = During the extension, the actuator will stop and only the retraction is possible once TES is pressed.	5 = Being on normal close (NC), TES will send signals to the control box once being pressed.		
		2 = During the retraction, the actuator will stop and only the extension is possible once TES is pressed.	A = Customized		
		4 = Being on normal open (NO), TES will send signals to the control box once being pressed.			
	Cable Length (To The Actuator)	1 = Straight, 500mm	2 = Straight, 1000mm	3 = Coiled, 200mm	A = Customized
	Cable Length (To The Control Box)	1 = Straight, 500mm	2 = Straight, 1000mm	3 = Coiled, 200mm	A = Customized