

TC9

series



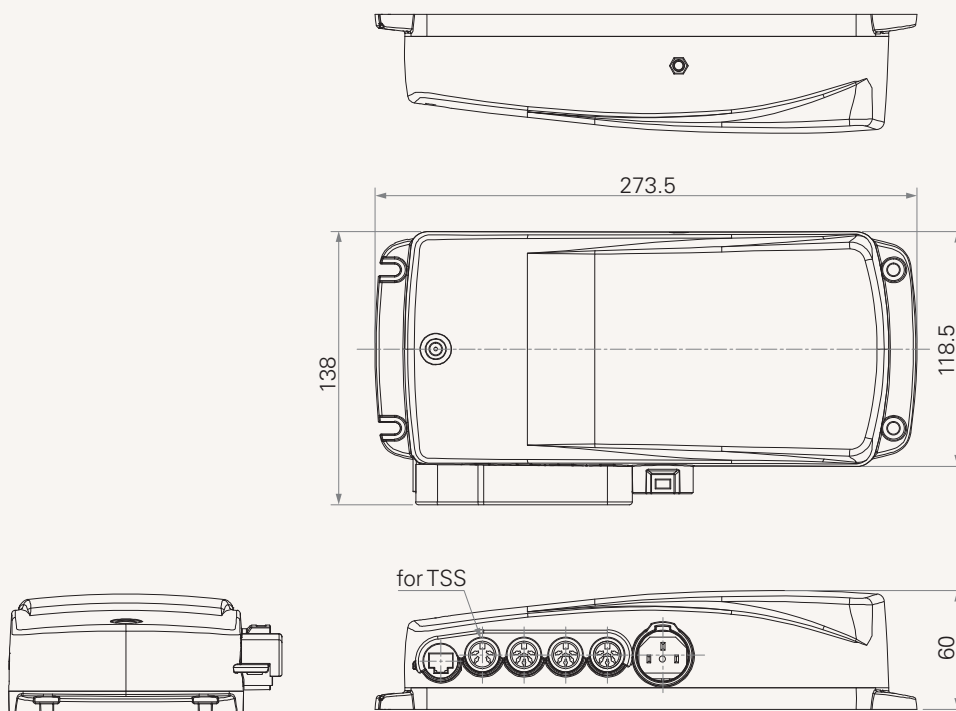
Product Segments

- **Comfort Motion**
- **Ergo Motion**

Voltage	100V AC, 120V AC, or 230V AC
Built-in transformer type	Toroidal
Maximum output	25V DC, 7.5A
Plug support	EU, USA, AUS, UK, JPN, or customized
Number of actuators	1~3
Color	black or grey
Protection class	IP54 or IP66
Certificate	EMC and LVD
Compatible with safety strip (TSS)	

Drawing

Standard Dimension



Terms of Use

The user is responsible for determining the suitability of TiMOTION products for a specific application.

Due to continuous development in order to improve our products, TiMOTION products are subject to frequent modifications and changes without prior notice.

TiMOTION reserves the right to discontinue the sale of any products displayed on its website or listed in its catalogue or other written materials drawn up by TiMOTION.

TC9 Ordering Key

TC9

Version: 20130510-C

<input type="checkbox"/>	Voltage	1 = 100V AC	2 = 120V AC	3 = 230V AC
<input type="checkbox"/>	Plug	1 = EU 2 = USA	3 = AUS 4 = UK	5 = JPN A = Others
<input type="checkbox"/>	Number of Actuators	1 = 1	2 = 2	3 = 3
<input type="checkbox"/>	Safety Strip	0 = Without		1 = With
<input type="checkbox"/>	Color	1 = Black		2 = Grey (Pantone 428C)
<input type="checkbox"/>	Cable Length	1 = Straight, 2000mm	2 = Straight, 4000mm	A = Customized
<input type="checkbox"/>	IP Protection	1 = Without	2 = IP54	3 = IP66
<input type="checkbox"/>	Grounding Function	0 = Without		1 = With