

TA4

series



Product Segments

- **Auto Motion**
- **Ergo Motion**

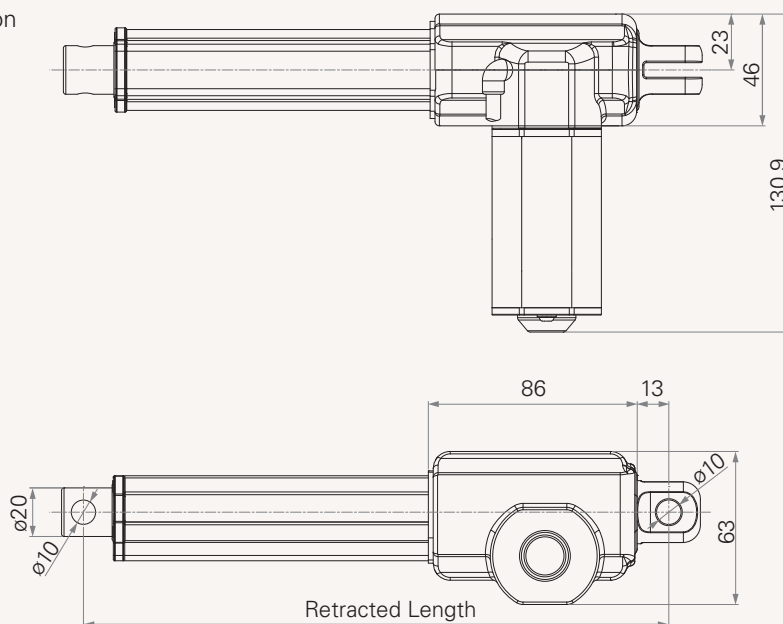
Our TA4 is a quiet and powerful linear actuator designed for either industrial or desk applications, ranging from computer carts to office table applications. TA4 fits into very narrow places.

General Features

Voltage of motor	12V DC or 24V DC
Maximum load	3,500N in push
Maximum load	2,000N in pull
Maximum speed	40.0mm/s
Minimum installation dimension	stroke+140mm
Color	silver
Protection class	IP54 or IP66
Certificate	IEC60601-1, ES60601-1, and RoHS
Option	Hall sensor(s)
Low noise	

Drawing

Standard Dimension



Load and Speed

CODE	Rated Load		Self Locking N (PUSH)	Typical Current at Rated Load (A)	Typical Speed	
	PUSH N	PULL N			No Load (32V DC) mm/s	Rated Load (24V DC) mm/s
Motor Speed (4100RPM)						
A	2000	2000	1500	2.8	10.0	4.8
B	1500	1500	800	2.8	14.0	6.0
C	1000	1000	300	3.2	27.0	11.0
D	800	800	200	3.2	40.0	17.0
E	3500	2000	3500	3.2	6.5	3.0
Motor Speed (3800RPM)						
G	2500	2000	2500	2.8	9.3	5.2
H	2000	2000	1000	3.0	13.2	6.9
I	1500	1500	500	4.0	26.4	10.8
J	3500	2000	3500	3.2	5.8	2.8
Motor Speed (3300RPM)						
M	1500	1500	1500	1.8	7.9	3.8
N	1000	1000	800	1.8	11.2	6.1
O	500	500	300	1.8	23.1	14.5
Motor Speed (2200RPM)						
R	1500	1500	1000	1.5	7.8	3.7
S	1000	1000	500	1.5	15.2	6.6

Note

- 1 The left diagram shows the speed and current figures under pushing condition.
- 2 Speed would be the same if with 12V motor, but with double current consumption.

Terms of Use

The user is responsible for determining the suitability of TiMOTION products for a specific application.

Due to continuous development in order to improve our products, TiMOTION products are subject to frequent modifications and changes without prior notice.

TiMOTION reserves the right to discontinue the sale of any products displayed on its website or listed in its catalogue or other written materials drawn up by TiMOTION.

Additional retracted length

TA Series	Safety Stroke Limit (mm)	Additional Stroke (mm)	Additional Invalid Length (mm)
TA1	300	0<additional stroke≤50	5
TA1 (6000N)	200	0<additional stroke≤50	5
TA1 (8000N) up	150	0<additional stroke≤50	5
TA2	300	0<additional stroke≤50	10
TA2P	300	0<additional stroke≤50	10
TA4	200	0<additional stroke≤50	5
TA6	300	0<additional stroke≤50	5
TA6 (6000N)	200	0<additional stroke≤50	5
TA7	300	0<additional stroke≤50	5
TA7 (6000N)	200	0<additional stroke≤50	5
TA7 (8000N) up	150	0<additional stroke≤50	5
TA9	200	0<additional stroke≤50	5
TA10	300	0<additional stroke≤50	5
TA10 (6000N)	200	0<additional stroke≤50	5
TA12	300	0<additional stroke≤50	10
TA12 (7000N)	300	0<additional stroke≤50	10
TA12 (12000N)	300	0<additional stroke≤50	10
TA13	300	0<additional stroke≤50	10
TA16	200	0<additional stroke≤50	5

Note

- 1 Above stroke recommendation is based on safety stroke limit, for each additional 50mm stroke, it needs to add 5mm for the retracted length.

For example

- 1 If TA9's stroke is 201mm, the retracted length = 201mm+invalid length+5mm.
 2 If TA9's stroke is 300mm, the retracted length = 300mm+invalid length+10mm.

TA4

Version: 20130502-J

<input type="checkbox"/>	Voltage	1 = 12V	2 = 24V	
<input type="checkbox"/>	Load and Speed	See appendix		
<input type="checkbox"/>	Stroke			
<input type="checkbox"/>				
<input type="checkbox"/>				
<input type="checkbox"/>	Retracted Length	Stroke+140mm (for front attachment 1,2)	Stroke+160mm (for front attachment 3,4,5)	
<input type="checkbox"/>		Note : before selecting retracted length, please refer to the additional retracted length chart		
<input type="checkbox"/>				
<input type="checkbox"/>	Rear Attachment	1 = Slot 6mm, hole 6.4mm 2 = Slot 6mm, hole 8mm	3 = Slot 6mm, hole 10mm A = Customized	
<input type="checkbox"/>	Front Attachment	1 = Hole 6.4mm 2 = Hole 8mm 3 = U clevis, slot 6mm, hole 10mm	4 = U clevis, slot 6mm, hole 6.4mm 5 = U clevis, slot 6mm, hole 8mm A = Customized	
<input type="checkbox"/>	Direction of Rear Attachment	1 = 0°	2 = 90°	
<input type="checkbox"/>	IP Protection	1 = Without	2 = IP54	3 = IP66
<input type="checkbox"/>	Special Functions for Spindle Sub-Assembly	0 = Without (standard)	2 = Push only	
<input type="checkbox"/>		Note : if choose #2 (ST-ST inner tube), it can't choose load & speed option #E or #J		
<input type="checkbox"/>	Functions for Limit Switches	1 = Two switches at the retracted/extended positions to cut current 2 = Two switches at the retracted/extended positions to cut current with the third one in between to send signal 3 = Two switches at the retracted/extended positions to send signal	4 = Two switches at the retracted/extended positions and the third one in between to send signal A = Customized	
<input type="checkbox"/>	Output Signals	0 = Without	4 = One Hall sensor	5 = Two Hall sensors
<input type="checkbox"/>	Plug	1 = TiMOTION's standard 6pin plug	2 = Tinned leads	A = Customized
<input type="checkbox"/>	Cable Length	1 = Straight, 300mm	2 = Straight, 600mm	3 = Straight, 1000mm A = Customized