



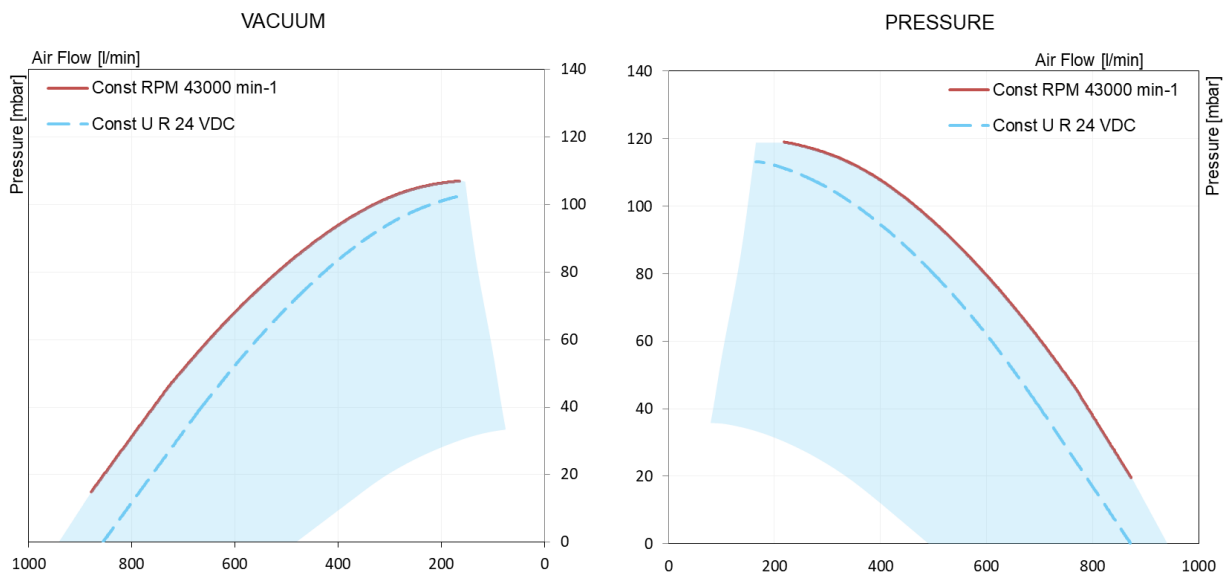
DATA SHEET U100HL-024KA-4



DESCRIPTION

Compact vacuum and pressure blower with an efficient motor, all-aluminum housing, IP67, integrated electronics, M16 connector, G3/4 inch pipe thread and 32 mm hose connection.

PERFORMANCE FIELDS



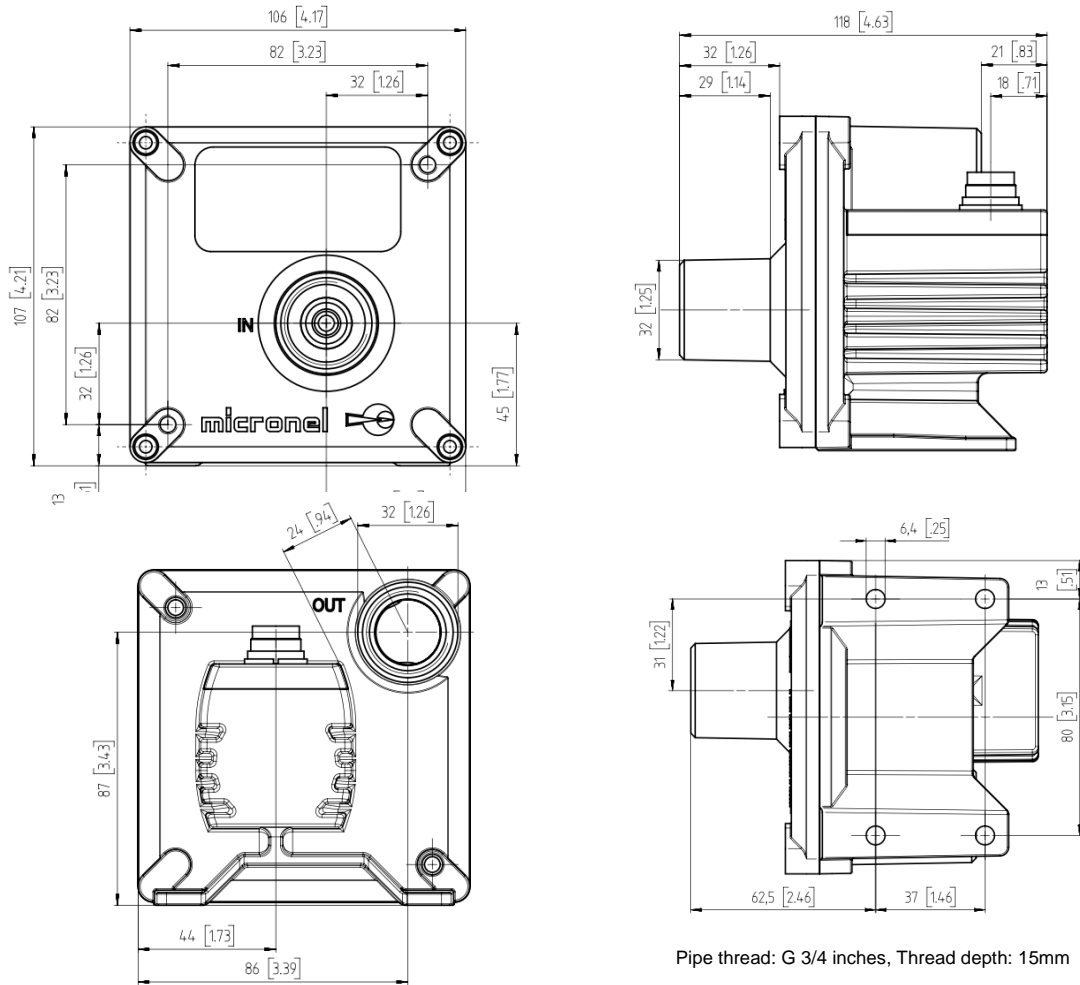
The performance fields apply to continuous operation with air as the conveyed medium at a standard density of 1.2 kg/m³ and an ambient temperature of 25°C. The working environment is upwardly limited by a characteristic curve at a constant rated speed of 43,000 rpm with tolerances according to ISO 13348 Grade AN4.

[Delta pressure and volume +/- 10%, power consumption + 16%, acoustics + 6dB (A)]

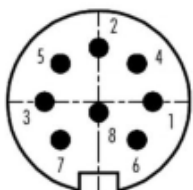
CERTIFICATE

Conformité Européenne
Micronel confirms that the product is in compliance with the existing European directives.



DIMENSIONS IN MM [INCHES]

MATERIALS

Components	
Housing	Die-cast aluminum
Impeller	Polyamide (PA6)
Label	Polyester

PIN ASSIGNMENT

 Plug M16 / 8-pin
 Binder Series 423

Function	Pin	Color	Description
+24VDC	1	White	Parallel connection of both contacts (shares current draw)
	4	Yellow	
GND	2	Brown	Parallel connection of both contacts (shares current draw)
	8	Red	
Tacho/FG	3	Green	RPM signal
Set	5	Gray	Control signal
NTC+	6	Pink	Temperature-dependent resistance
NTC-	7	Blue	

TECHNICAL SPECIFICATIONS

Electrical		Min	Nominal	Max
Voltage range	VDC	13.5	24	26.4
Constant power consumption at 43,000 rpm	W			190
General power consumption	W			220
Set speed				
Voltage range	VDC	0		5
0% voltage	VDC			2
100% voltage	VDC	4.2		
Stop voltage	VDC	Set speed to GND		
Pneumatic overpressure				
Volume flow (free-blowing)	l/min			950
Volume flow at 43,000 rpm	l/min	160 ⁽¹⁾		
Pressure	mbar			119
Pneumatic negative pressure				
Volume flow (free-blowing)	l/min			950
Volume flow at 43,000 rpm	l/min	160 ⁽¹⁾		
Pressure	mbar			107
Thermal				
Ambient temperature	°C	-20	25	45
Storage ambient temperature	°C	-20	25	65
Measuring range integrated temperature sensor	°C	-20		85
Motor				
Rotational speed	RPM	22'000		43'000
Start-up time ⁽²⁾	s			6
Environment				
Protection class housing ⁽³⁾		IP67		
Relative humidity	%RH	10		85
Service life				
L10 ⁽⁴⁾	h		20'000	
L1 ⁽⁴⁾	h		5'000	
Acoustics				
Sound pressure ⁽⁵⁾	dB(A)		55	61
Mechanical				
Weight	kg		0.875	
Dimensions		See figure 1 on page 10		
Supply requirements				
Ripple voltage	%			5
Continuous operation	A		10	
Starting current	A			20

 1 Leakage aperture \varnothing 6mm

2 Up to 90% operating speed

3 With air circulation closed to the surroundings

4 Calculated at 43,000 rpm and 25°C

 5 Sound pressure level, measured at a distance of 1 m
with closed suction and pressure discharge sides