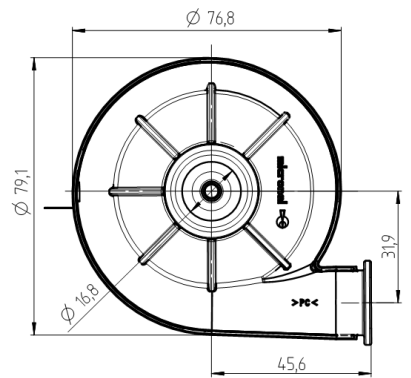
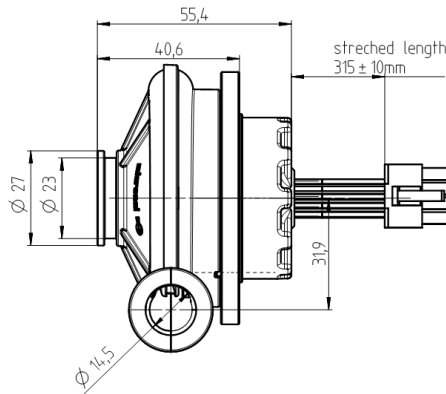
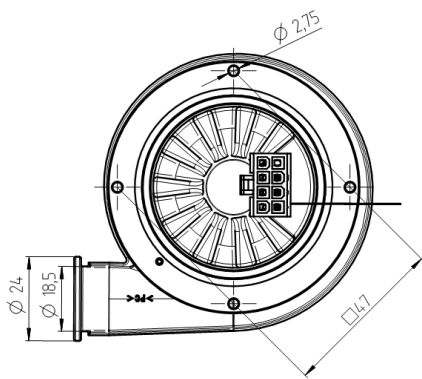
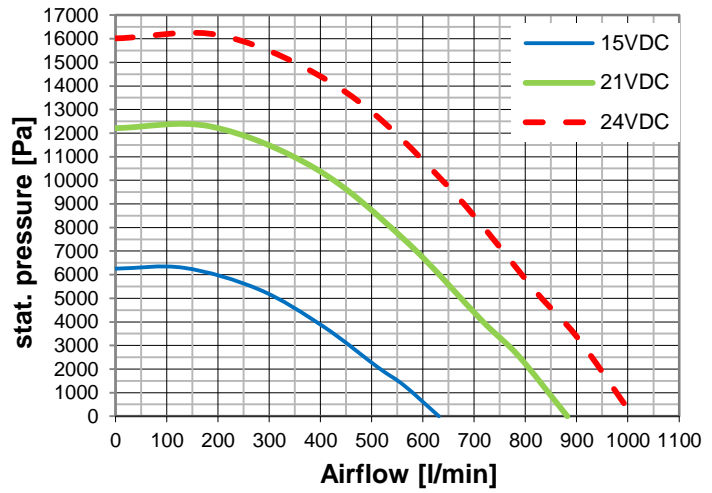
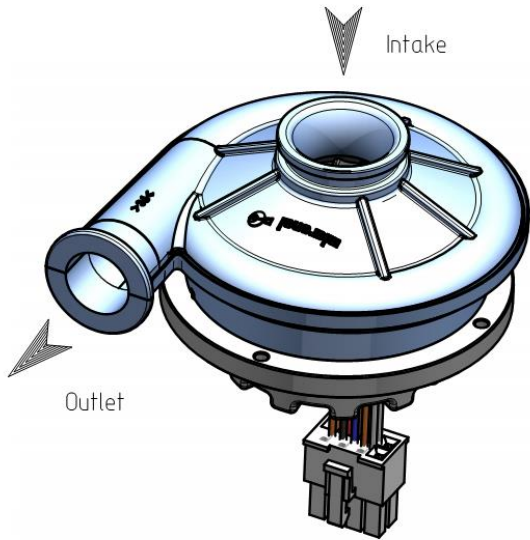



Miniatur Radial Gebläse ohne integrierte Elektronik
Miniature Radial Blower without integrated electronics



Direction of rotation CCW 

Technische Daten

Allgemeine Beschreibung

Kompakter Lüfter mit effizientem Motor. Eigenschaften: Material: Gehäuse: PC, Flügelrad: PA. Bürstenloser 3-Phasen Motor ohne integrierter Treiber Elektronik.

Technical data

General description

Compact blower with an efficient motor. Features: Material: housing: PC, impeller: PA. Brushless 3-Phase motor without integrated driver electronic.

		U85MX-024KX-5
U_N	VDC	21
U	VDC	15 - 24
I_N freeblowing	mA	8'500
I_N typ. work. point	mA	5'900
I_N static	mA	2'400
P_N typ. work. point	W	125
n freeblowing	min ⁻¹	39'000
n typ. work. point	min ⁻¹	41'500
n static	min ⁻¹	46'100
V freeblowing	l/min	885
V typ. work. point	l/min	390
p work. point	Pa	10'500
p static	Pa	12'300
$LpA_{(WP)}$	dB(A)	77
T	°C	-20...+45
m	gr	340
Leads	mm	315 (AWG24 / 18)
Housing material		PC
Impeller material		PA6
Sleeve Bearing		N/A
Ball Bearing		•
Tacho		•
Speed control SP		N/A


Data's at Density: 1.2kg/m³

Operating Instruction and Warning

U85MX-024KX-5

Electrical connections

Connector type: MOLEX MINI-FIT 39-01-2080

			AWG	PIN	Description	Colour	
8		4	24	1	Hall sensor 1	Blue	
7		3	24	2	Hall sensor 2	Black	
6		2	24	3	Vhall 4.5...18VDC	Yellow	
5		1	18	4	Motorwinding 3	Orange	
				24	5	Hall sensor 3	Grey
				24	6	GND	Green
				18	7	Motorwinding 1	Brown
				18	8	Motorwinding 2	Red

Blower limits

- Max. allowed temperature on motor surface	65° C
- Maximum speed	45'000 1/min
- Max. power consumption	160W
- Orifice diameter at outlet / inlet diameter	> 4mm (Q > 80 l/min)

Power supply requirements

Ripple voltage < 5%
 10000 mA

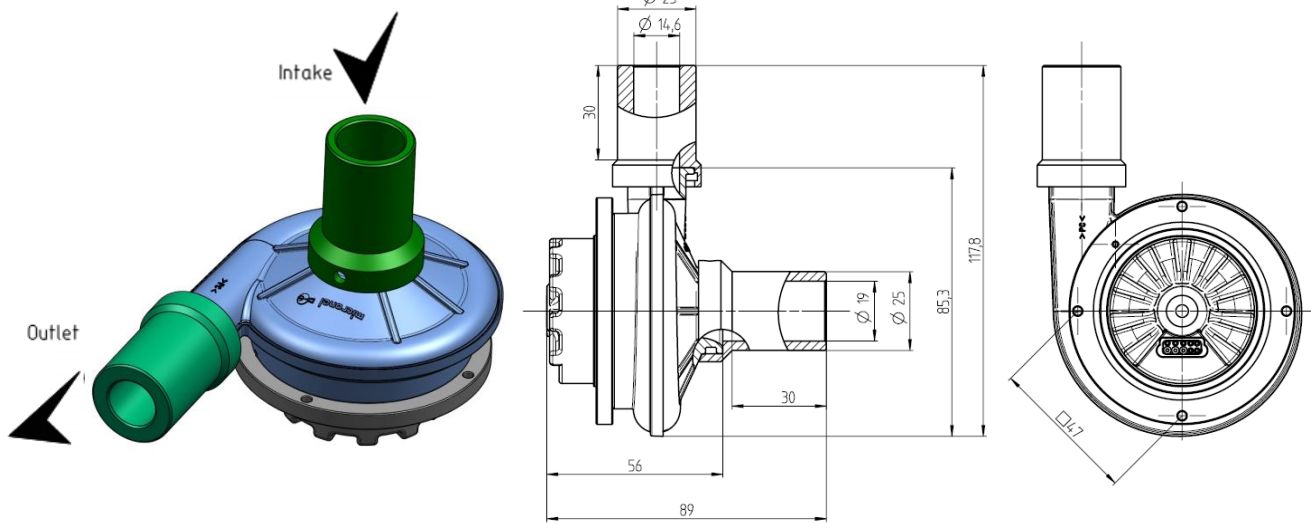
Info

**Specifications are subject to change without notice.
 Specifications on this Datasheet are for reference.**

Version: 29.08.2018 C1

Doc: U85MX-024KX-5 without integrated electronics.doc

Options for intake and outlet connections*



Product no. incl. option / Product Nr. inkl. Option	Intake / Einlass	Outlet / Auslass	Description / Beschreibung
U85MX-024KX-5			Without intake / without outlet Ohne Einlass / ohne Auslass
U85MX-024KX-51	•		With intake / without outlet Mit Einlass / ohne Auslass
U85MX-024KX-52		•	Without intake / with outlet Ohne Einlass / mit Auslass
U85MX-024KX-53*	•	•	With intake / with outlet Mit Einlass / mit Auslass

* The drawings show intake and outlet connections. Both options are independent of each other.
 Die Zeichnungen stellen beide Anschlussmöglichkeiten (Ein- und Auslass) dar.