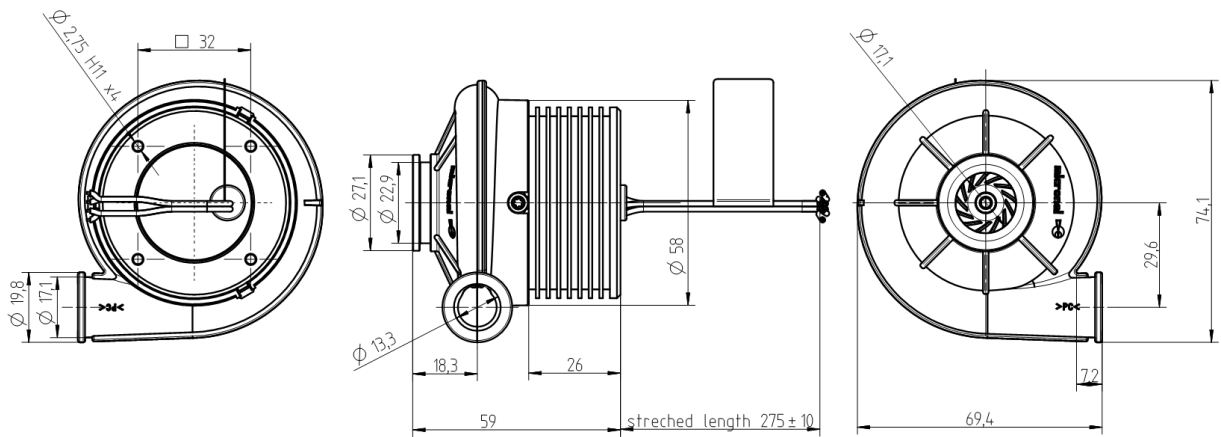
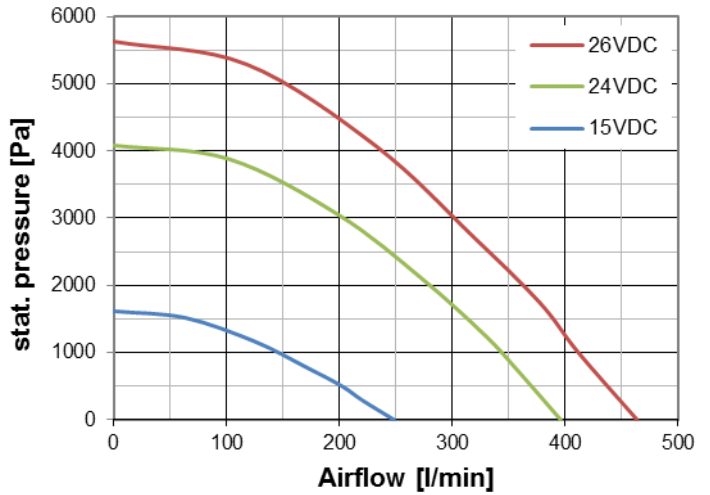
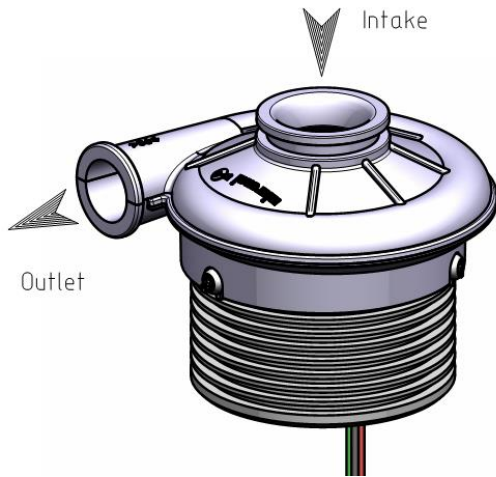


Miniatur Radial Gebläse mit integrierter Elektronik
Miniature Radial Blower with integrated electronic



Direction of rotation CCW



Technische Daten

Allgemeine Beschreibung

Kompakter Lüfter mit effizientem Motor. Eigenschaften: Gehäuse: PC, Flügelrad: PA. Bürstenloser und sensorloser 3-Phasen Motor mit integrierter Treiber Elektronik. Anschluss über Einzellitzen (AWG24).

Technical data

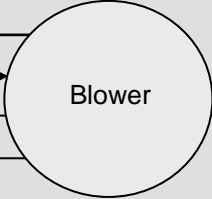
General description

Compact blower with an efficient motor. Features: housing: PC, impeller: PA. Brushless and sensorless 3-Phase motor with integrated driver electronic. Connection via single leads AWG 24.

		U71MX-024KX-4
U_N	VDC	24
U	VDC	15 - 26
I_N freeblowing	mA	1'300
I_N typ. work. point	mA	1'030
I_N static	mA	615
P_N typ. work. point	W	25
n freeblowing	min ⁻¹	28'900
n typ. work. point	min ⁻¹	29'500
n static	min ⁻¹	31'100
V freeblowing	l/min	395
V typ. work. point	l/min	200
p work. point	Pa	3'100
p static	Pa	4'100
$LpA_{(WP)}$	dB(A)	47 dB(A) at 1000 Pa (10 mbar) and 1m distance
T	°C	-20...+50
m	gr	290
Leads	mm	275 (AWG24)
Housing material		PC
Impeller material		PA6
Sleeve Bearing		N/A
Ball Bearing		•
Tacho		•
Speed control SP		•
NTC		N/A

Data's at Density: 1.2kg/m³

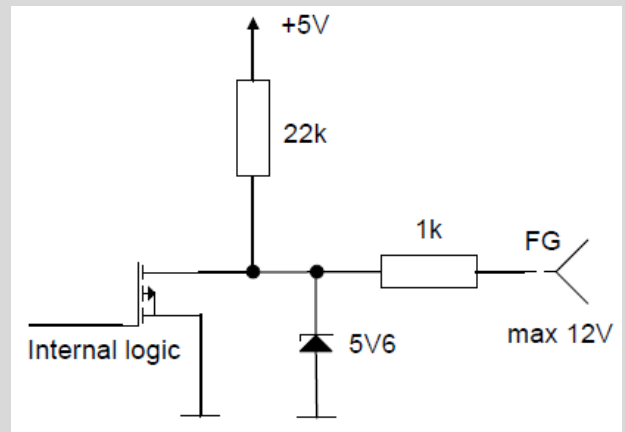
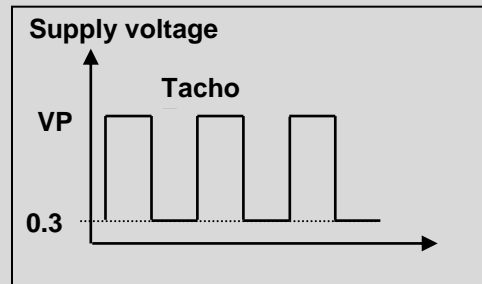
Operating Instruction and Warning

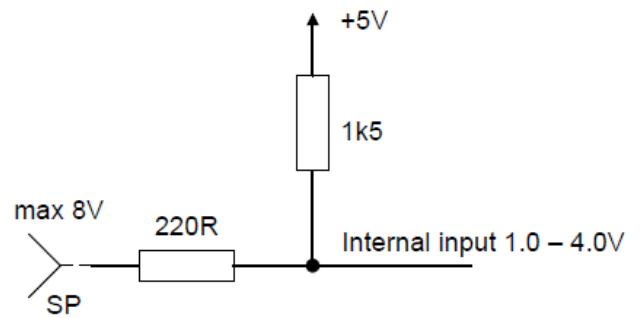
U71MX-024KX-4			
Electrical connection	Description	Lead wire	Diagram
FG	Frequency Generator output	yellow	
SP	Set speed input	green	
Vcc	+ Power	red	
GND	Ground	black	

- Blower Features**
- Integrated speed control input
 - FG frequency signal output
 - ON / OFF control by logic signal
 - Locked rotor protection
 - Power supply overvoltage protection: maximum 28VDC
 - ESD Protection 16 kV
 - SURGE and burst protection 600W 10/1000 μ m
 - Polarity protection

FG Frequency signal (yellow wire)

Speed calculation $f * 20 = \text{rpm (3 pulse / rotation)}$
 $f = \text{FG Frequency Generator [Hz]}$
 $\text{rpm} = \text{Rotation speed [min-1]}$





Input voltage	0.0-1.0 VDC → Stop 1.0-4.0 VDC → Fan is running compare to VDC 4.0-5.0 VDC → Fan is running with 100% speed
SP not connected	Blower operates at 100% Speed
SP to GND	Speed zero → Stop

Blower limits during continuous operation and warning	- Max. allowed temperature on heat sink surface:	65° C
	- Maximum speed	36'000 1/min
	- Handle only in currentless condition	

Power supply requirement	Ripple voltage < 5% 2000 mA
---------------------------------	---------------------------------------

Info	Specifications are subject to change without notice. Specifications on this Datasheet are for reference.
	Version: 23.10.2014 / CP
	Doc: U71MX-024KX-4 with integrated electronics.doc