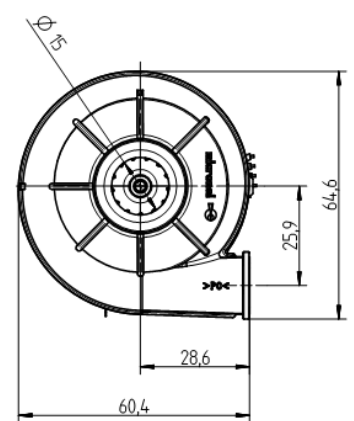
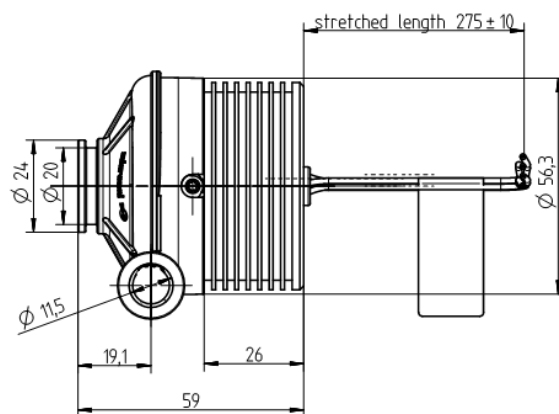
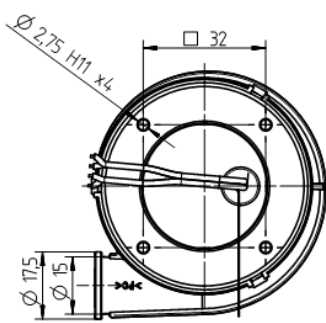
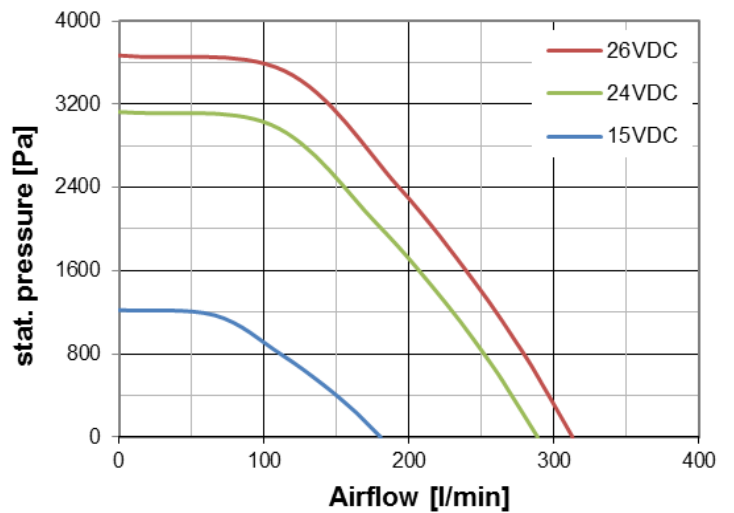
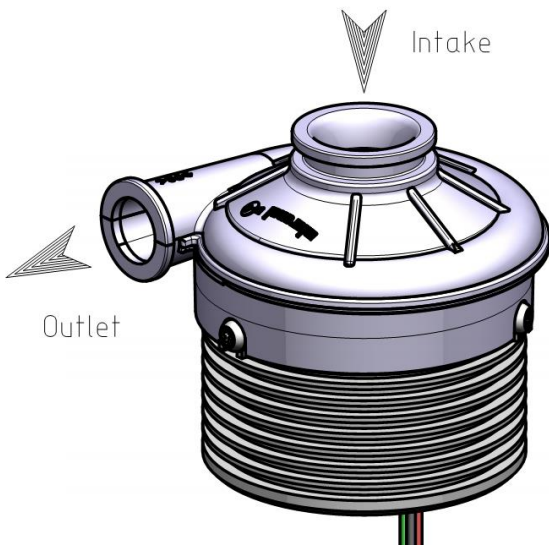


Miniatur Radial Gebläse mit integrierter Elektronik
Miniature Radial Blower with integrated electronic



Direction of rotation CCW



Technische Daten

Allgemeine Beschreibung

Kompakter Lüfter mit effizientem Motor. Eigenschaften: Gehäuse: PC, Flügelrad: PA. Bürstenloser und sensorloser 3-Phasen Motor mit integrierter Treiber Elektronik. Anschluss über Einzelleitern (AWG24).

Technical data

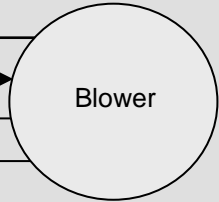
General description

Compact blower with an efficient motor. Features: housing: PC, impeller: PA. Brushless and sensorless 3-Phase motor with integrated driver electronic. Connection via single leads AWG 24.

		U65MX-024KX-4
U_N	VDC	24
U	VDC	15 - 26
I_N freeblowing	mA	900
I_N typ. work. point	mA	760
I_N static	mA	450
P_N typ. work. point	W	18
n freeblowing	min ⁻¹	30'300
n typ. work. point	min ⁻¹	30'400
n static	min ⁻¹	31'900
V freeblowing	l/min	285
V typ. work. point	l/min	170
p work. point	Pa	2'100
p static	Pa	3'100
$LpA_{(WP)}$	dB(A)	47.5 dB(A) at 1'000 Pa (10 mbar) and 1m distance
T	°C	-20...+50
m	gr	267
Leads	mm	275 (AWG24)
Housing material		PC
Impeller material		PA6
Sleeve Bearing		N/A
Ball Bearing		•
Tacho		•
Speed control SP		•

Data's at Density: 1.2kg/m³

Operating Instruction and Warning

U65MX-024KX-4			
Electrical connection	Description	Lead wire	Diagram
	FG Frequency Generator output	yellow	
	SP Set speed input	green	
	Vcc + Power	red	
	GND Ground	black	

Blower Features

- Integrated speed control input
- FG frequency signal output
- ON / OFF control by logic signal
- Locked rotor protection
- Power supply overvoltage protection: maximum 28VDC
- ESD Protection 16 kV
- SURGE and burst protection 600W 10/1000 μ m
- Polarity protection

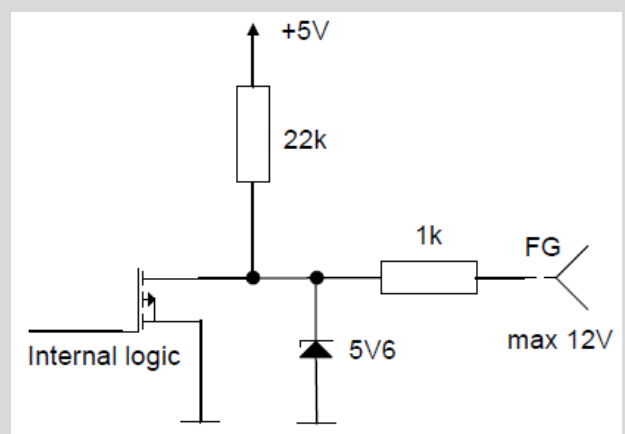
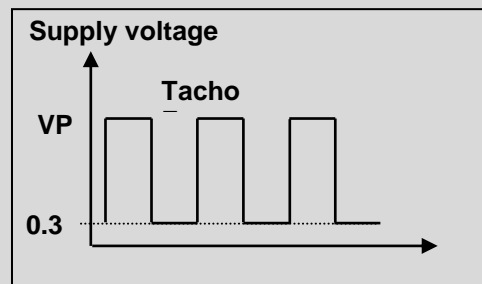
FG Frequency signal (yellow wire)

Speed calculation

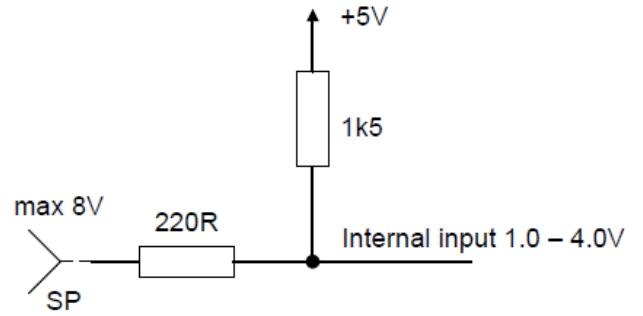
$$f * 20 = \text{rpm (3 pulse / rotation)}$$

f = FG Frequency Generator [Hz]

rpm = Rotation speed [min⁻¹]



**SP Set speed
 (green wire)**



Input voltage	0.0-1.0 VDC → Stop 1.0-4.0 VDC → Fan is running compare to VDC 4.0-5.0 VDC → Fan is running with 100% speed
SP not connected SP to GND	Blower operates at 100% Speed Speed zero → Stop

Blower limits during continuous operation and warning	- Max. allowed temperature on heat sink surface: 65° C - Maximum speed 36'000 1/min - - Handle only in currentless condition
--	--

Power supply requirement	Ripple voltage < 5% 2000 mA
---------------------------------	---------------------------------------

Info	Specifications are subject to change without notice. Specifications on this Datasheet are for reference. Version: 23.10.2014 / CP Doc: U65MX-024KX-4 with integrated electronics.doc
-------------	--