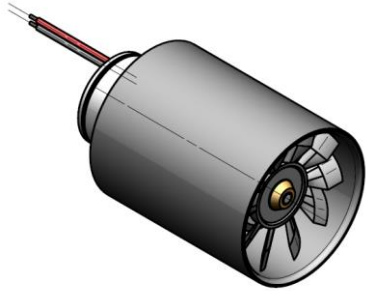
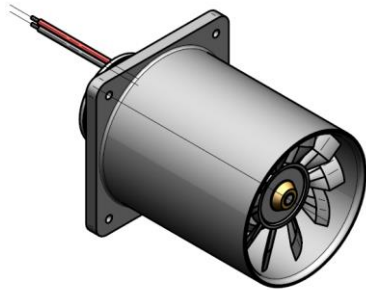


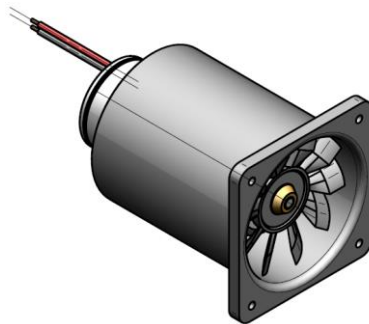
**Miniatur Axial Gebläse mit integrierter Elektronik**  
**Miniature Axial fan with integrated electronic**



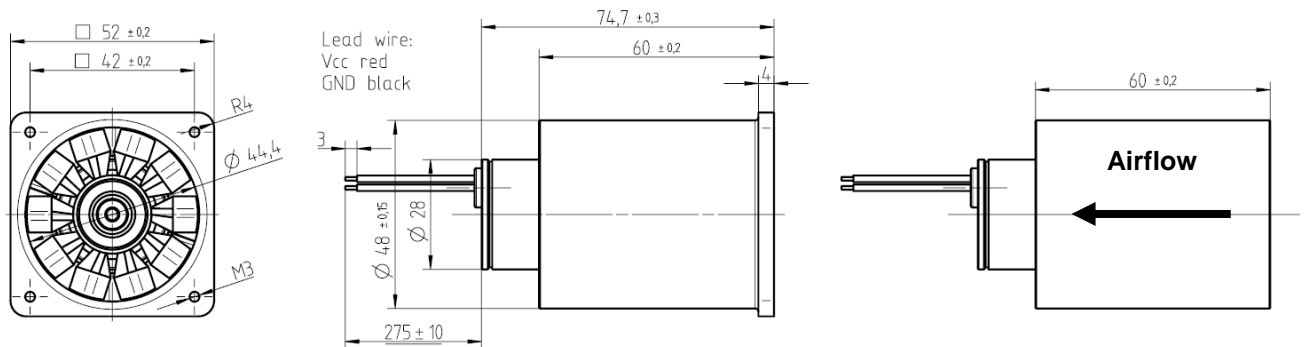
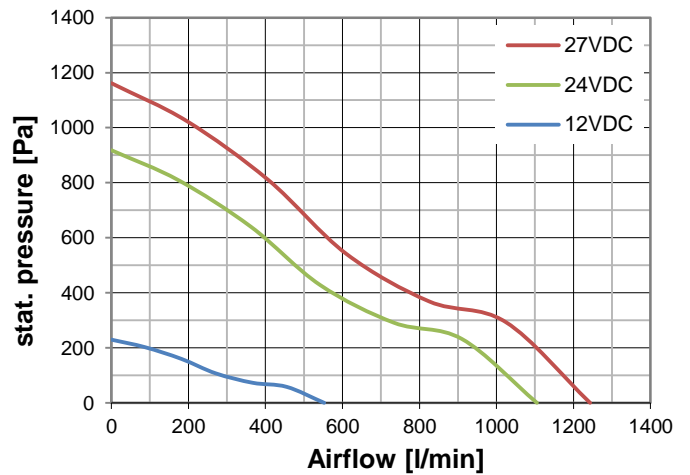
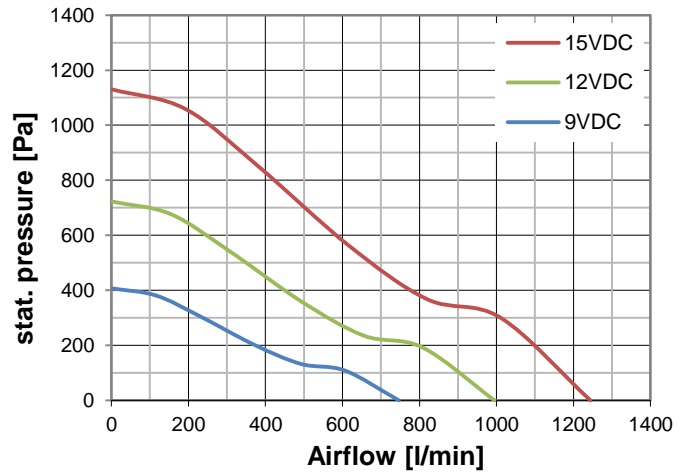
D481T-012KM-4  
 D481T-024KM-4



D483T-012KM-4  
 D483T-024KM-4



D484T-012KM-4  
 D484T-024KM-4



## Technische Daten

### Allgemeine Beschreibung

Lüfter mit grossem Volumenstrom, wirtschaftlichem Motor, Wellendichtung und integrierter Powerelektronik.  
Eigenschaften: Material: Gehäuse: Alu, Motorträger: PSU, Flügelrad: PPO.

Elektronisch kommutierter Motor.

**Optional:** Tacho, Set speed und NTC

## Technical data

### General description

Fan with a high airflow, economic motor, shaft sealing and integrated power electronic.

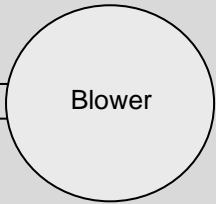
Features: Material: Housing: Alu, Motor support: PSU, Impeller: PPO

Electronically commutated motor

**Options:** Tacho, Set speed and NTC

		D48.T-012KM-4	D48.T-024KM-4
$U_N$	VDC	12	24
U	VDC	9 – 15	12 - 27
$I_{N \text{ freeblowing}}$	mA	1'200	690
$I_{N \text{ work. point}}$	mA	1'100	610
$I_{N \text{ static}}$	mA	1'360	800
$P_{N \text{ work. point}}$	W	13.2	14.7
$n_{\text{ freeblowing}}$	min <sup>-1</sup>	17'470	19'280
$n_{\text{ work. point}}$	min <sup>-1</sup>	17'740	19'280
$n_{\text{ static}}$	min <sup>-1</sup>	17'020	19'050
$V_{\text{ freeblowing}}$	l/min	1'000	1'100
$V_{\text{ work. point}}$	l/min	490	540
$p_{\text{ work. point}}$	Pa	360	430
$p_{\text{ static}}$	Pa	720	920
LpA	dB(A)	67.4	66.2
T	°C	-40...+85	
m	gr	170	
Leads	mm	275 (AWG24)	
Housing Material		Aluminium anodised	
Ball Bearing		•	
Tacho		optional	optional
Set speed		optional	optional
NTC		optional	optional

Data's at Density: 1.2kg/m<sup>3</sup>

		D48.T-...KM-4	
<b>Electrical circuit</b>	Description	Lead wire	Diagram
	Vcc + Power GND Ground	red black	

**Electrical features**

polarity protection  
 Overvoltage protection: maximum 28VDC  
 Input protected by suppresser diode



**Exceeding the blower limits during continuous operation may cause permanent damage!  
 Handle only in currentless condition!**

**Info**

**Specifications are subject to change without notice.  
 Specifications on this Datasheet are for reference.**

Version: 10.04.2014 / DH  
 Doc: D480\_int\_Elo high speed.docx