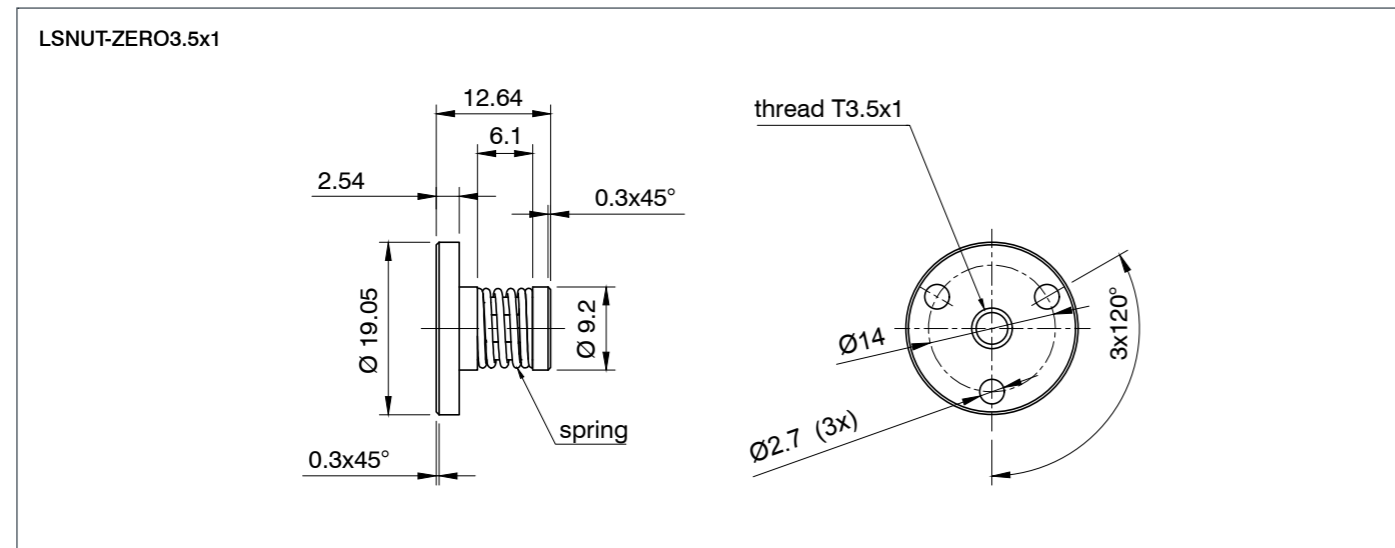




VERSIONS

Type	Thread Type	Thread Diameter mm	Thread Lead mm	Corresponding Motors
LSNUT-ZERO3.5X1	Trapezoidal Thread	3.5	1	L.....-T3.5x1
LSNUT-ZERO5X5	Trapezoidal Thread	5	5	L.....-T5x5

DIMENSIONS (IN MM)



DIMENSIONS (IN MM)

