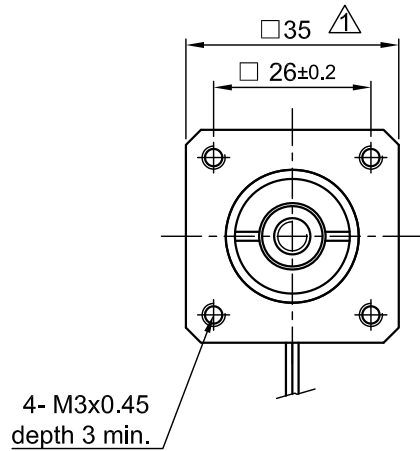
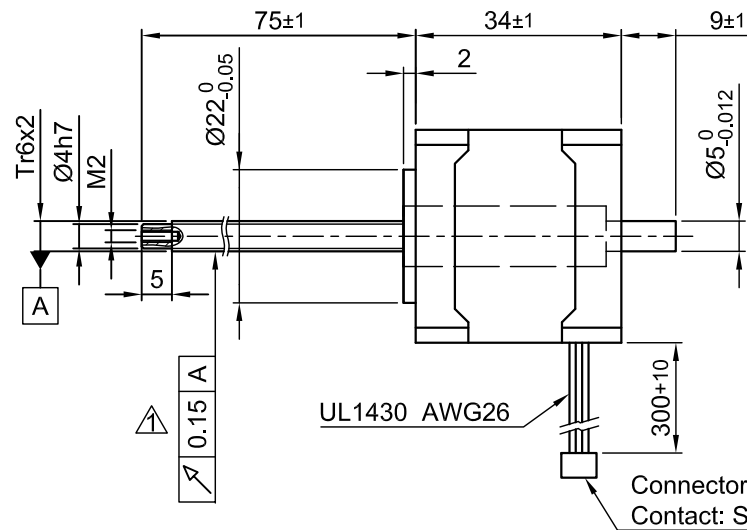


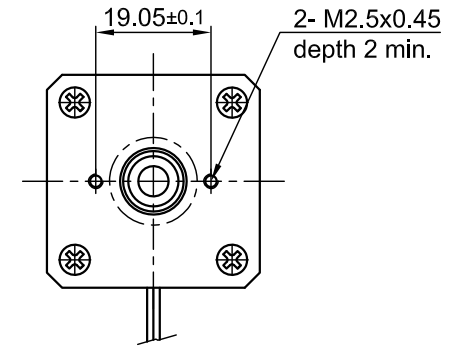
Front view and mounting



Side view



Rear view



SPECIFICATION	BIPOLAR
AMPS/PHASE	1.2
RESISTANCE/PHASE (Ohms)@25°C	1.9 ±10%
INDUCTANCE/PHASE (mH) @1KHz	2.1 ±20%
SPINDLE PITCH (mm)	2
THRUST (N)	160 Δ
RESOLUTION (mm/STEP)	0.01
STATIC THRUST (N) (NO CURRENT)	>160 Δ
MAX. SPEED (mm/sec.) at 48V	100 Δ
MAX. SPEED WITH MAX. THRUST (mm/sec.)	12 Δ
WEIGHT (Kg) [lb]	0.15 [0.331]
TEMPERATURE RISE: MAX.80°C (MOTOR STANDSTILL; FOR 2 PHASE ENERGIZED)	
AMBIENT TEMPERATURE -10°~ 50°C [14°F ~ 122°F]	
INSULATION RESISTANCE 100 MOhm (UNDER NORMAL TEMPERATURE AND HUMIDITY)	
INSULATION CLASS B 130° [266°F]	
DIELECTRIC STRENGTH 500VAC FOR 1 MIN. (BETWEEN THE MOTOR COILS AND THE MOTOR CASE)	
AMBIENT HUMIDITY MAX. 85% (NO CONDENSATION)	

Please regard the application note at www.nanotec.com for further informations.

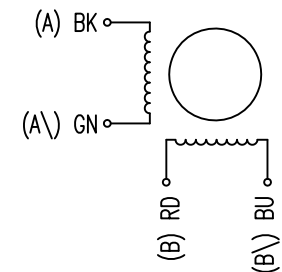
Shaft play is adjustable at the motor.

PIN NO	TYPE OF CONNECTION (EXTERN)		MOTOR	
	BIPOLAR	LEADS	WINDING	
1	A —	BK	A	
2	A\ —	GN	A\ B	
3	B —	RD	B	
4	B\ —	BU	B\ A	

WIRING DIAGRAM

FULL STEP 2 PHASE-Ex., WHEN FACING MOUNTING END (X)

STEP	A	B	A\ B	B\ A	CCW	CW
1	+	+	-	-	↓	↑
2	-	+	+	-	↓	↑
3	-	-	+	+	↓	↑
4	+	-	-	+	↓	↑



REV	DESCRIPTION	DATE	DRN	 Nanotec [®] PLUG & DRIVE			APVD	S.R.	27.09.12	LINEAR AKTUATOR	
1	rework draw/change tolerance	08.06.16	A.S.	Surface specification DIN ISO 1302	General tolerances DIN ISO 2768- ch	Work piece edge DIN ISO 13715	CHKD			DWG.NO	
A	-	29.11.13	J.D.				DRN	J.W.	13.2.13	LS3518S1204-T6x2-75	
REV	DESCRIPTION	DATE	DRN				SIGNATURE	DATE			