

OPTIONS



VERSIONS

Type	Force N	Speed mm/s	Current per Winding A	Resolution $\mu\text{m}/\text{step}$	Resistance per Winding Ohm	Inductance per Winding mH	Thread Diameter mm	Thread Lead mm	Length „A“ mm	Weight kg
LS3518S1204-T5X5-75	85	200	1.2	25	1.9	2.1	5	5	34	0.15
LS3518S1204-T6X1-75	240	22	1.2	5	1.9	2.1	6	1	34	0.15
LS3518S1204-T6X2-75	160	36	1.2	10	1.9	2.1	6	2	34	0.15

ACCESSORIES

- LSNUT-AAAE-TJBA** Threaded Nut - POM
- LSNUT-AAAE-TJCA** Threaded Nut - POM
- LSNUT-AEAE-TJBA** Pre-Loaded Threaded Nut - POM
- LSNUT-AEAE-TJCA** Pre-Loaded Threaded Nut - POM
- LSNUT-T5X5-F** Threaded Nut - PEEK
- LSNUT-ZERO5X5** Pre-Loaded Threaded Nut - PEEK

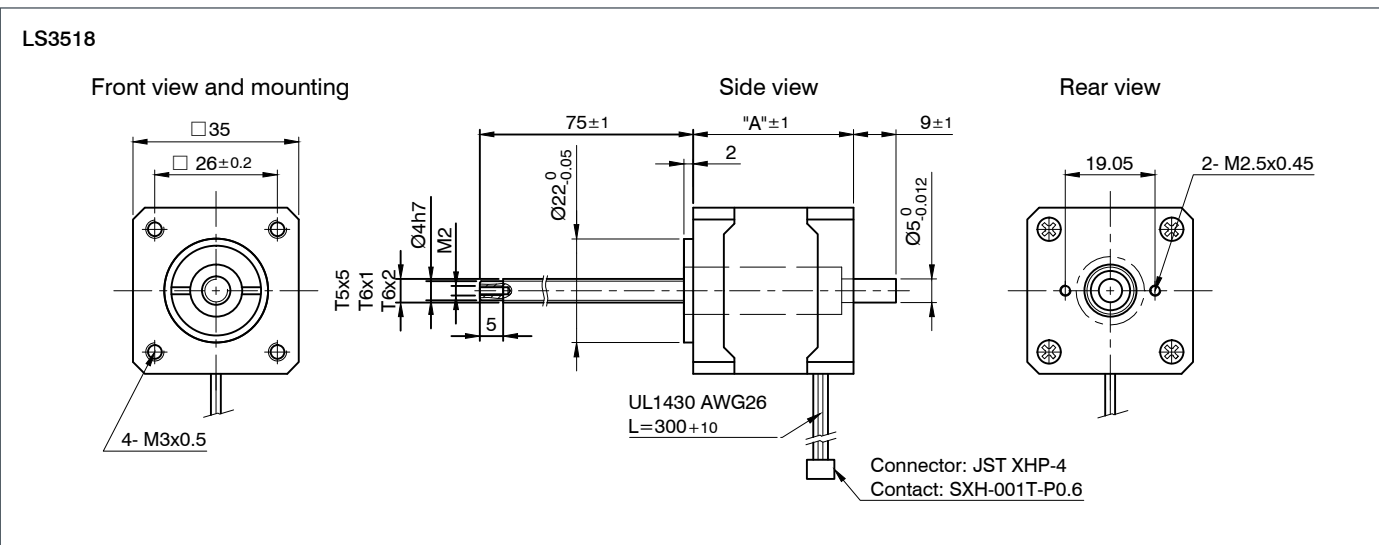


CAUTION

The force and output power ratings listed in the data sheets are based on a duty cycle of approx. 10% to 20% and must be reduced for higher values. Moving against fixed limit stops should be avoided.



DIMENSIONS (IN MM)



FORCE-VELOCITY CURVES

