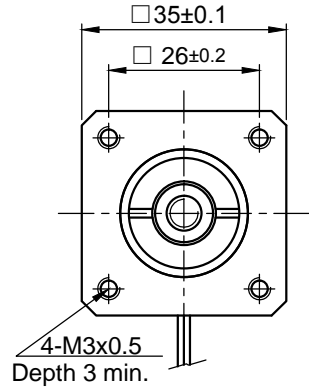
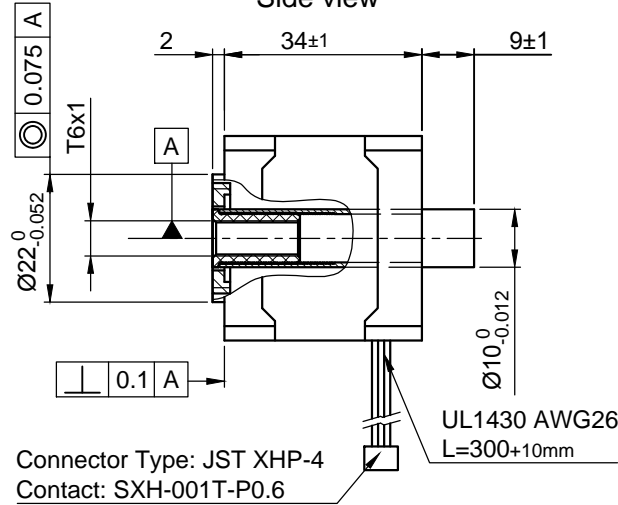


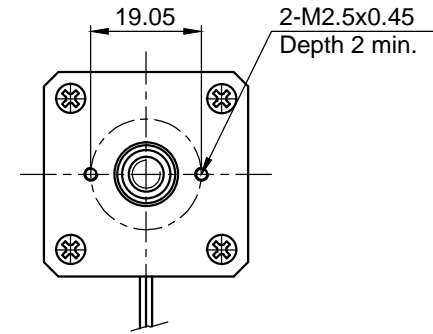
Front view and mounting



Side view



Rear view



SPECIFICATION	
AMPS/PHASE	1.2
RESISTANCE/PHASE (Ohms)@25°C	1.85±15%
INDUCTANCE/PHASE (mH) @1KHz	2.0±20%
SPINDLE PITCH (mm) [in]	1[0.039]
THRUST (N) (lb)	240[53.95] ▲
RESOLUTION (mm/STEP)	0.005
STATIC THRUST (NO CURRENT) (N)	>240 ▲
MAX. SPEED (mm/sec.) at 48V	50 ▲
MAX. SPEED WITH MAX. THRUST (mm/sec.)	5 ▲
WEIGHT (Kg) [lb]	0.15 [0.331]
TEMPERATURE RISE: MAX.80°C (MOTOR STANDSTILL; FOR 2 PHASE ENERGIZED)	
AMBIENT TEMPERATURE -10°~ 50°C [14°F ~ 122°F]	
INSULATION RESISTANCE 100 MOhm (UNDER NORMAL TEMPERATURE AND HUMIDITY)	
INSULATION CLASS B 130° [266°F]	
DIELECTRIC STRENGTH 500VAC FOR 1 MIN. (BETWEEN THE MOTOR COILS AND THE MOTOR CASE)	
AMBIENT HUMIDITY MAX. 85% (NO CONDENSATION)	

Please regard the application note at www.nanotec.com for further informations.

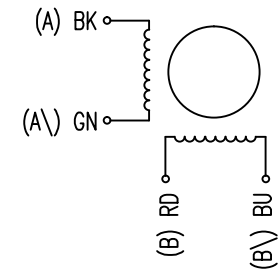
Shaft play is adjustable at the motor.

PIN NO	TYPE OF CONNECTION (EXTERN)			MOTOR	
	BIPOLAR	LEADS	WINDING		
1	A —	BK	A		
2	A\ —	GN	A\		
3	B —	RD	B		
4	B\ —	BU	B\		

WIRING DIAGRAM

FULL STEP 2 PHASE-Ex., WHEN FACING MOUNTING END (X)

STEP	A	B	A\	B\	CCW	CW
1	+	+	-	-	↓	↑
2	-	+	+	-	↓	↑
3	-	-	+	+	↓	↑
4	+	-	-	+	↓	↑



REV	DESCRIPTION	DATE	APVD
01	ADD TECHNICAL DATE	21.11.13	B.L.



L3518S1204-T6x1

SCALE	APVD	G.S.	DATE
FREE			28.03.13
X ±0.5	CHKD	GYQ	28.03.13
1PL ±0.2	DRN	LB	28.03.13
2PL ±0.1	SIGNATURE		DATE
ANGLE ±30'			

LINEAR AKTUATOR

DWG.NO

L3518S1204-T6x1