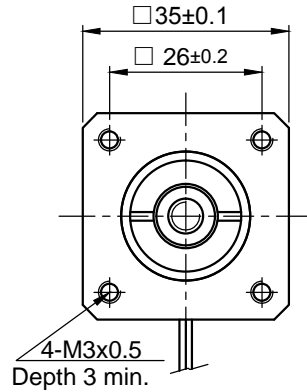
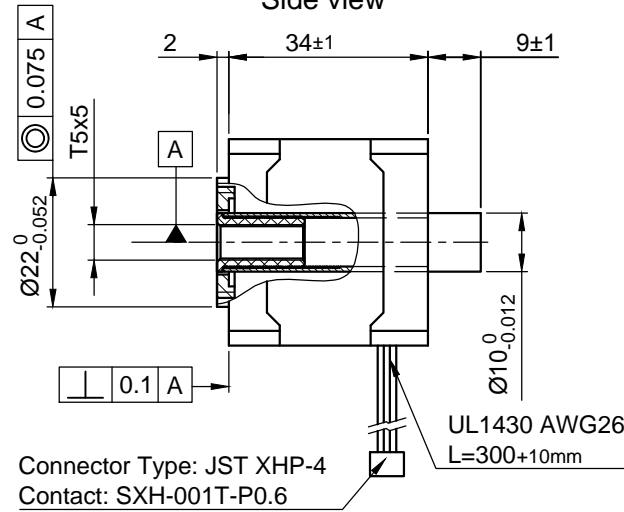


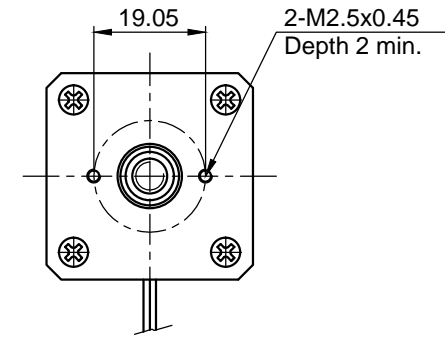
Front view and mounting



Side view



Rear view



SPECIFICATION

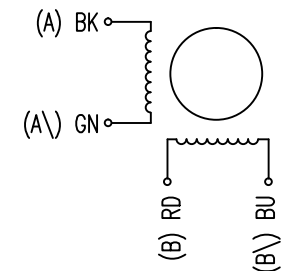
AMPS/PHASE	1.2
RESISTANCE/PHASE (Ohms)@25°C	1.85±15%
INDUCTANCE/PHASE (mH) @1KHz	2.0±20%
SPINDLE PITCH (mm) [in]	5[0.197]
THRUST (N) (lb)	85
RESOLUTION (mm/STEP)	0.025
MAX. SPEED (mm/sec.) at 48V	250
MAX. SPEED WITH MAX. THRUST (mm/sec.)	14
WEIGHT (Kg) [lb]	0.15 [0.331]
TEMPERATURE RISE: MAX.80°C (MOTOR STANDSTILL; FOR 2 PHASE ENERGIZED)	
AMBIENT TEMPERATURE -10°~ 50°C [14°F ~ 122°F]	
INSULATION RESISTANCE 100 MOhm (UNDER NORMAL TEMPERATURE AND HUMIDITY)	
INSULATION CLASS B 130° [266°F]	
DIELECTRIC STRENGTH 500VAC FOR 1 MIN. (BETWEEN THE MOTOR COILS AND THE MOTOR CASE)	
AMBIENT HUMIDITY MAX. 85% (NO CONDENSATION)	

Please regard the application note at www.nanotec.com for further informations.

Shaft play is adjustable at the motor.

TYPE OF CONNECTION (EXTERN)		MOTOR	
PIN NO	BIPOLAR	LEADS	WINDING
1	A —	BK	A
2	A\ —	GN	A\ B
3	B —	RD	B
4	B\ —	BU	B\ A

WIRING DIAGRAM



FULL STEP 2 PHASE-Ex., WHEN FACING MOUNTING END (X)

STEP	A	B	A\	B\		CCW
1	+	+	-	-	↓	↑
2	-	+	+	-		
3	-	-	+	+	↓	↑
4	+	-	-	+		



L3518S1204-T5x5

SCALE FREE

X	±0.5
1PL	±0.2
2PL	±0.1
ANGLE	±30'

APVD

CHKD	GYQ	28.03.13
DRN	LB	28.03.13
SIGNATURE		DATE

LINEAR AKTUATOR

DWG.NO

L3518S1204-T5x5

REV	DESCRIPTION	DATE	APVD