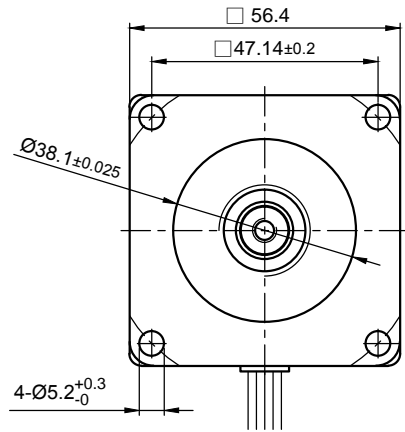
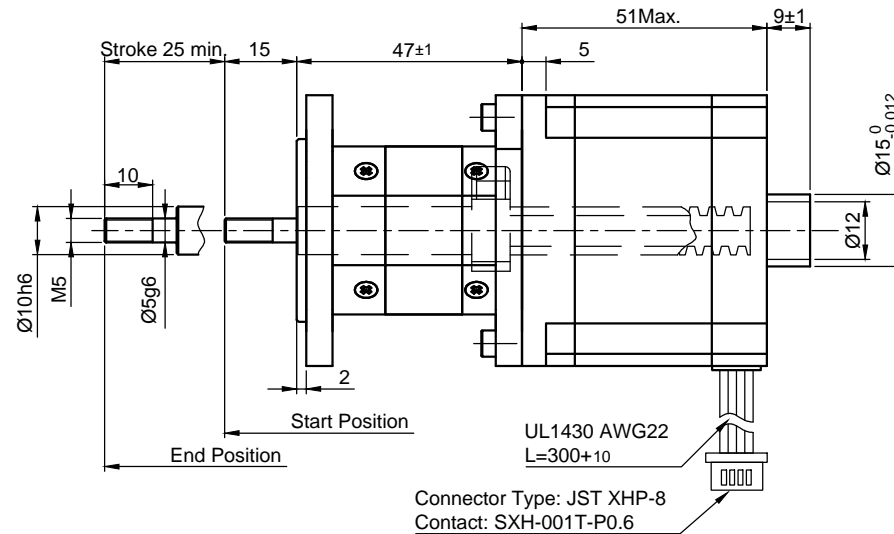


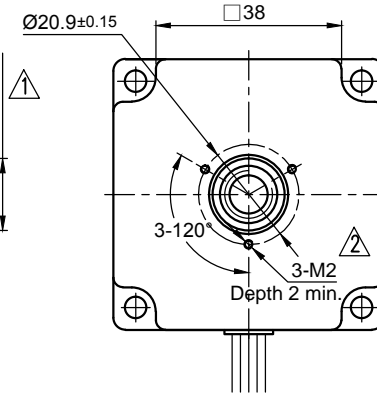
Front view and mounting



Side view



Rear view



SPECIFICATION	UNIPOLAR OR BIPOLAR-1 WINDING	BIPOLAR	
		SERIAL	PARALLEL
AMPS/PHASE	2.0	1.41	2.82
RESISTANCE/PHASE (Ohms)@25°C	1.5±10%	3.0±10%	0.75±10%
INDUCTANCE/PHASE (mH) @1KHz	2.6±20%	10.4±20%	2.6±20%
SPINDLE PITCH (mm) [in]	6 [0.236]		
THRUST (N) (lb)	500	▲	
RESOLUTION (mm/FULLSTEP)	0.03		
STATIC THRUST (NO CURRENT)	>70	▲ ▲	
MAX. SPEED (mm/sec.) at 48V	130	▲	
MAX. SPEED WITH MAX. THRUST (mm/sec.)	15	▲	
WEIGHT (Kg) [lb]	0.8 [1.76]		
TEMPERATURE RISE: MAX.80°C (MOTOR STANDSTILL; FOR 2 PHASE ENERGIZED)			
AMBIENT TEMPERATURE -10°~ 50°C [14°F ~ 122°F]			
INSULATION RESISTANCE 100 MOhm (UNDER NORMAL TEMPERATURE AND HUMIDITY)			
INSULATION CLASS B 130° [266°F]			
DIELECTRIC STRENGTH 500VAC FOR 1 MIN. (BETWEEN THE MOTOR COILS AND THE MOTOR CASE)			
AMBIENT HUMIDITY MAX. 85% (NO CONDENSATION)			

Please regard the application note at www.nanotec.com for further informations.

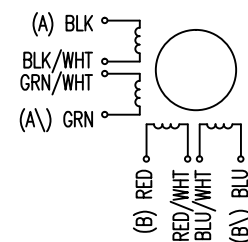
Shaft play is adjustable at the motor.

TYPE OF CONNECTION (EXTERN)				MOTOR		
UNIPOLAR	BIPOLAR 1WINDING	BIPOLAR SERIAL	BIPOLAR PARALLEL	CONNECTOR PIN NO.	LEADS	WINDING
A —	A —	A —	A —	1	BLK	A
COM —	A —	COM —	COM —	3	BLK/WHT	
A\ —	B —	A\ —	A\ —	2	GRN/WHT	A\
B —	B —	B —	B —	4	GRN	B
COM —	B —	COM —	COM —	5	RED	
A\ —	B —	A\ —	A\ —	7	RED/WHT	A\
B\ —	B —	B\ —	B\ —	6	BLU/WHT	B\
				8	BLU	

FULL STEP 2 PHASE-Ex., WHEN FACING MOUNTING END (X)

STEP	A	B	A\	B\	CCW	CW
1	+	+	-	-	↓	↑
2	-	+	+	-	↑	↓
3	-	-	+	+	↓	↑
4	+	-	-	+	↑	↓

WIRING DIAGRAM



2	3-M2 DEPTH	14.08.15	GYQ
1	ADD TOLERANCE OF B-SHAFT	17.04.15	GYQ
B	ADD VALUE OF STATIC THRUST	18.03.15	GYQ
REV	DESCRIPTION	DATE	APVD



L5918S2008-T10x6-A25

SCALE FREE	APVD	S.G.	28.03.14
X ±0.5	CHKD		
1PL ±0.2	DRN	GYQ	28.03.14
2PL ±0.1	SIGNATURE	DATE	
ANGLE ±30'			

LINEAR AKTUATOR

DWG.NO L5918S2008-T10x6-A25