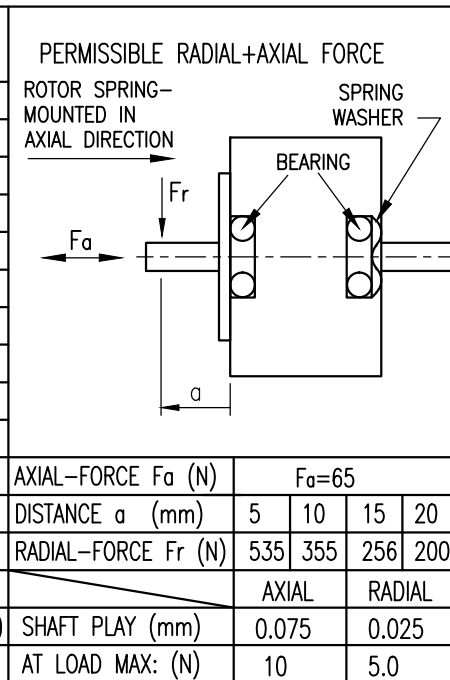


SPECIFICATION	CONNECTION	
	BIPOLAR	PARALLEL
VOLTAGE (VDC)	2.18	
AMPS/PHASE	9.5	
RESISTANCE/PHASE (Ohms)@25°C	0.26±15%	
INDUCTANCE/PHASE (mH) @1KHz	2.7±20%	
HOLDING TORQUE (Nm) [lb-in]	9.33 [82.57]	
DETENT TORQUE (Nm) [lb-in]	0.20 [1.7]	
STEP ANGLE (°)	1.8	
STEP ACCURACY (NON-ACCUM)	±5%	
ROTOR INERTIA (Kg-m ²) [lb-in ²]	3.0x10 ⁻⁴ [1.025]	
WEIGHT (Kg) [lb]	4.35 [9.59]	
TEMPERATURE RISE: MAX.80°C (MOTOR STANDSTILL; FOR 2 PHASE ENERGIZED)		
AMBIENT TEMPERATURE -10°~ 50°C [14°F ~ 122°F]		
INSULATION RESISTANCE 100 MOhm (UNDER NORMAL TEMPERATURE AND HUMIDITY)		
INSULATION CLASS B 130° [266°F]		
DIELECTRIC STRENGTH 500VAC FOR 1 MIN. (BETWEEN THE MOTOR COILS AND THE MOTOR CASE)		
AMBIENT HUMIDITY MAX. 85% (NO CONDENSATION)		



M12-12 pole Encoder	
PIN NO.	ASSIGNMENT
1	A
2	A\
3	B
4	B\
5	GND
6	I\
7	I
8	Vcc (24V)
9	GND
10	GND
11	NC
12	NC
HOUSING	SHIELDING

M16-7 pole Motor	
PIN. NO.	ASSIGNMENT
1	A\
2	A
3	B
4	B\
5	NC
6	NC
7	PE
HOUSING	SHIELDING

FULL STEP 2 PHASE-Ex., WHEN FACING MOUNTING END (X)

STEP	A	B	A\	B\	CW
1	+	+	-	-	↓
2	-	+	+	-	↑
3	-	-	+	+	↓
4	+	-	-	+	↑

REV	DESCRIPTION	DATE	APVD
05	NEW PIN ASSIGNMENT	25.05.15	GYQ
04	NEW MOTOR NAME	08.02.14	GYQ
03	ADD A BASE FOR CONNECTOR	27.02.13	GYQ

Nanotec
PLUG & DRIVE

AS8918L9504-E24

SCALE	FREE	APVD	G.S.	03.09.12
X	±0.5	CHKD		
1PL	±0.2	DRN	J.W.	03.09.12
2PL	±0.1	SIGNATURE		DATE
ANGLE	±30'			

STEPPER MOTOR IN PROTECTION

DWG.NO AS8918L9504-E24