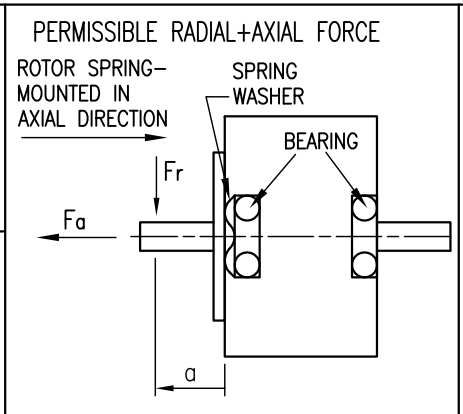
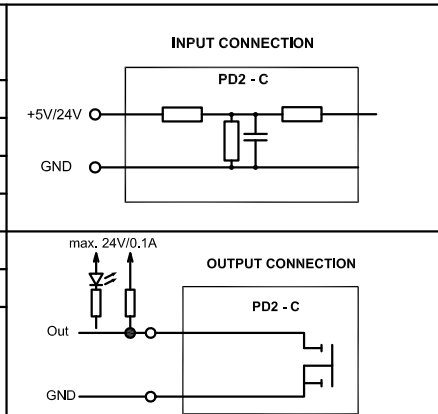


SPECIFICATION	CONNECTION	BIPOLAR
VOLTAGE (VDC)		12 TO 48
AMPS/PHASE		1.8A
HOLDING TORQUE (Nm) [lb-in]		0.5 [4.425]
DETENT TORQUE (Nm) [lb-in]		0.022 [0.195]
STEP ANGLE (°) ± ACCURACY		1.8±5% TO MICROSTEP
WEIGHT (Kg) [lb]		0.5 [1.1]



X1 CANopen IN (M8, 5-Pole, B-coding, male)		X2 CANopen OUT (M8, 5-Pole, B-coding, female)	
Pin No.	Function	Pin No.	Function
1	+UB Logic (24V)	1	+UB Logic (24V)
2	CAN_SHLD	2	CAN_SHLD
3	CAN+	3	CAN+
4	CAN-	4	CAN-
5	GND	5	GND

X3 Power (M8, 3-Pole, A-coding, male)		X4 IO (M8, 8-Pole, A-coding, male)	
Pin No.	Function	Pin No.	Function
1	+UB (12-48V)	1	GND
3	GND	2	Analog Input (0-10V/0-20mA)
4	N.C.	3	Output 1 (open drain)
		4	Output 2 (open drain)
		5	Input 1 (5V/24V)
		6	Input 2 (5V/24V)
		7	Input 3 (5V/24V)
		8	Input 4 (5V/24V)

OVERTEMPERATURE PROTECTION (ELECTRONICS): 75°C	AXIAL-FORCE Fa (N)	Fr=7
AMBIENT TEMPERATURE -10~ 50°C [14°F ~ 122°F]	DISTANCE a (mm)	20
INSULATION RESISTANCE 100 MOhm (UNDER NORMAL TEMPERATURE AND HUMIDITY)	RADIAL-FORCE Fr (N)	20
INSULATION CLASS B 130° [266°F]		AXIAL RADIAL
DIELECTRIC STRENGTH 500VAC FOR 1 MIN. (BETWEEN THE MOTOR COILS AND THE MOTOR CASE)	SHAFT PLAY (mm)	0.1 0.02
AMBIENT HUMIDITY MAX. 85% (NO CONDENSATION)	AT LOAD MAX: (N)	30 4.5

				APVD	<i>X.W.</i>	01.09.16	PLUG&DRIVE MOTOR
				CHKD			
Surface specification DIN ISO 1302 General tolerances DIN ISO 2768- cH Work piece edge DIN ISO 13715				DRN	<i>A.S.</i>	01.09.16	DWG.NO
				REV	DESCRIPTION	DATE	