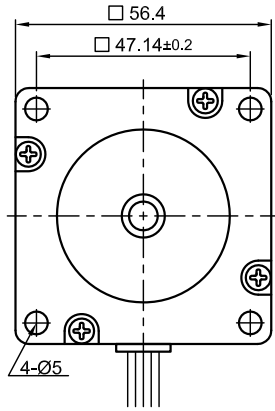
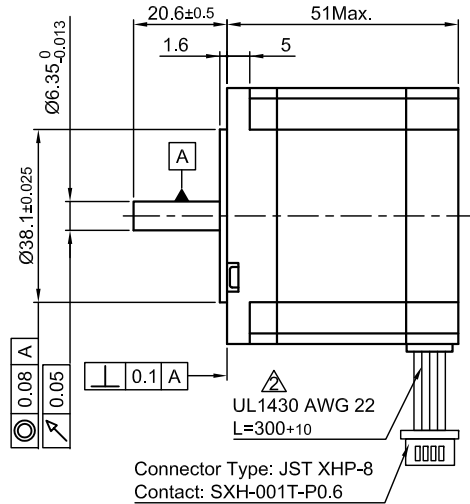


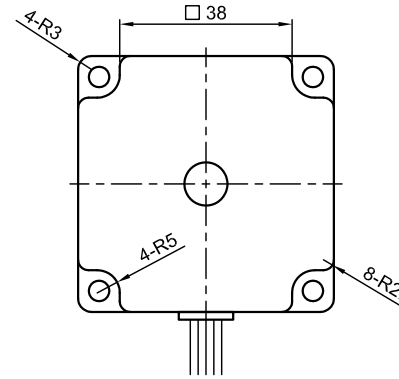
Front view and mounting



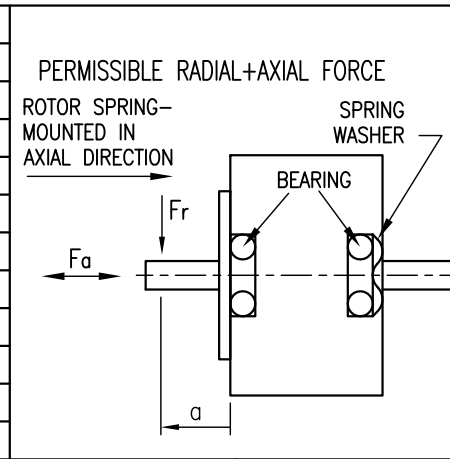
Side view



Rear view



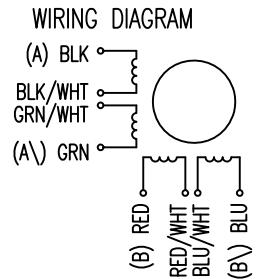
SPECIFICATION	CONNECTION	
	UNIPOLAR OR BIPOLAR-1 WINDING	BIPOLAR
VOLTAGE (VDC)	2.16	
AMPS/PHASE	3.0	2.12 4.24
RESISTANCE/PHASE (Ohms)@25°C	0.72±10%	1.44±10% 0.36±10%
INDUCTANCE/PHASE (mH) @1KHz	0.9±20% Δ	3.6±20% Δ 0.9±20% Δ
HOLDING TORQUE (Nm) [lb-in]	0.7 [6.25] Δ	Δ 0.99 [8.76] Δ 0.99 [8.76]
DETENT TORQUE (Nm) [lb-in]	0.03 [0.266]	
STEP ANGLE (°)	1.8	
ACCURACY(NON-ACCUM)	±5%	
ROTOR INERTIA (Kg-m ²) [lb-in ²]	2.75x10 ⁻⁵ [0.094]	
WEIGHT (Kg) [lb]	0.65 [1.43]	



TYPE OF CONNECTION (EXTERN)				MOTOR		
UNIPOLAR	BIPOLAR 1WINDING	BIPOLAR SERIAL	BIPOLAR PARALLEL	CONNECTOR PIN NO. Δ	LEADS	WINDING
A	A	A	A	1	BLK	A
COM	A			3	BLK/WHT	
A\		A\	A\	2	GRN/WHT	A\
B	B	B	B	4	GRN	B
COM	B			5	RED	
B\		B\	B\	7	RED/WHT	B\
				6	BLU/WHT	
				8	BLU	

FULL STEP 2 PHASE-Ex., WHEN FACING MOUNTING END (X)

STEP	A	B	A\	B\	CCW	CW
1	+	+	-	-	↓	↑
2	-	+	+	-	↓	↑
3	-	-	+	+	↓	↑
4	+	-	-	+	↓	↑



TEMPERATURE RISE: MAX.80°C (MOTOR STANDSTILL; FOR 2 PHASE ENERGIZED)	AXIAL-FORCE Fa (N)	Fa=15			
AMBIENT TEMPERATURE -10~ 50°C [14°F ~ 122°F]	DISTANCE a (mm)	5	10	15	20
INSULATION RESISTANCE 100 MOhm (UNDER NORMAL TEMPERATURE AND HUMIDITY)	RADIAL-FORCE Fr (N)	130	90	70	52
INSULATION CLASS B 130° [266°F]		AXIAL		RADIAL	
DIELECTRIC STRENGTH 500VAC FOR 1 MIN. (BETWEEN THE MOTOR COILS AND THE MOTOR CASE)	SHAFT PLAY (mm)	0.08		0.02	
AMBIENT HUMIDITY MAX. 85% (NO CONDENSATION)	AT LOAD MAX: (N)	4.5		4.5	

4	NEW VALUE OF INDUCTANCE	13.12.13	J.D.
3	HOLD.TOR.+DELE. BACK-EMF	18.11.13	J.D.
2	NEW UL NO.	28.07.09	J.W.
REV	DESCRIPTION	DATE	APVD

Nanotec
PLUG & DRIVE

ST5918S3008-A

SCALE	FREE	APVD	S.Ha.	19.03.07
X	±0.5	CHKD		
1PL	±0.2	DRN	J.W.	21.11.06
2PL	±0.1	SIGNATURE		DATE
ANGLE	±30'			

STEPPING MOTOR

DWG.NO ST5918S3008-A