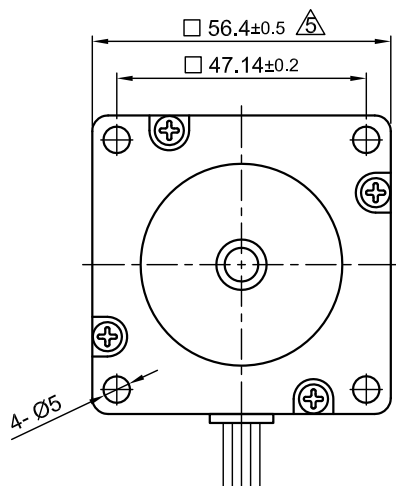
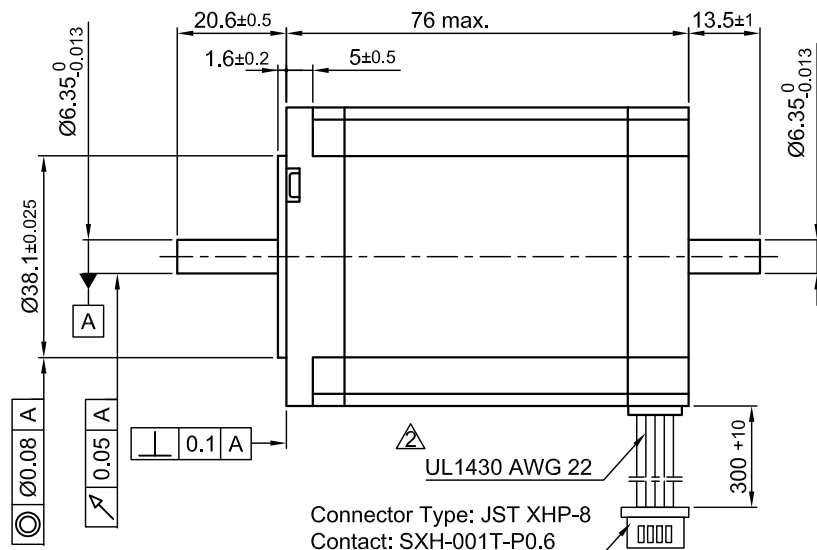


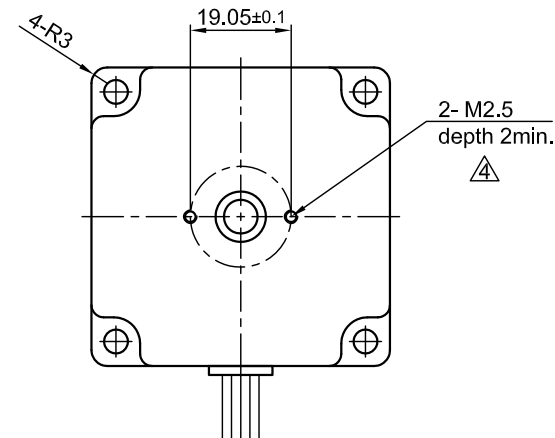
Front view and mounting



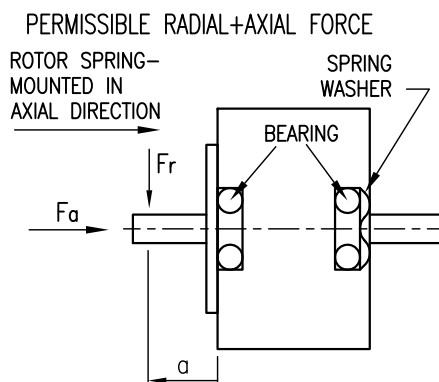
Side view



Rear view



SPECIFICATION	CONNECTION	UNIPOLAR OR BIPOLAR-1 WINDING	BIPOLAR	
			SERIAL	PARALLEL
VOLTAGE (VDC)		3.0		
AMPS/PHASE		3.0	2.1	4.2
RESISTANCE/PHASE (Ohms)@25°C		1.0±10%	2.0±10%	0.5±10%
INDUCTANCE/PHASE (mH) @1KHz		1.9±20%	7.6±20%	1.9±20%
HOLDING TORQUE (Nm) [lb-in]		1.32 [11.71]	1.87 [16.52]	1.87 [16.52]
DETENT TORQUE (Nm) [lb-in]		0.068 [0.602]		
STEP ANGLE (°) ± ACCURACY		1.8±5% (NON-ACCUM)		
ROTOR INERTIA (Kg-m²) [lb-in²]		4.8x10 ⁻⁵ [0.164]		
WEIGHT (Kg) [lb]		1.0 [2.2]		
TEMPERATURE RISE: MAX.80°C (MOTOR STANDSTILL; FOR 2 PHASE ENERGIZED)				
AMBIENT TEMPERATURE -10~ 50°C [14°F ~ 122°F]				
INSULATION RESISTANCE 100 MOhm (UNDER NORMAL TEMPERATURE AND HUMIDITY)				
INSULATION CLASS B 130° [266°F]				
DIELECTRIC STRENGTH 500VAC FOR 1 MIN. (BETWEEN THE MOTOR COILS AND THE MOTOR CASE)				
AMBIENT HUMIDITY MAX. 85% (NO CONDENSATION)				

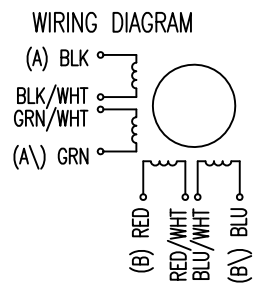


	AXIAL-FORCE Fa (N)	Fa=15			
DISTANCE a (mm)		5	10	15	20
RADIAL-FORCE Fr (N)		130	90	70	52
		AXIAL	RADIAL		
SHAFT PLAY (mm)		0.08	0.02		
AT LOAD MAX: (N)		4.5	4.5		

TYPE OF CONNECTION (EXTERN)				MOTOR		
UNIPOLAR	BIPOLAR 1WINDING	BIPOLAR SERIAL	BIPOLAR PARALLEL	CONNECTOR PIN NO.	LEADS	WINDING
A	A	A	A	1	BLK	A
COM	A			3	BLK/WHT	
A\	B	A\	A\	2	GRN/WHT	A\
B	B	B	B	4	GRN	B
COM	B			5	RED	
B\		B\	B\	7	RED/WHT	B\
				6	BLU/WHT	
				8	BLU	

FULL STEP 2 PHASE-Ex., WHEN FACING MOUNTING END (X)

STEP	A	B	A\	B\	CCW	CW
1	+	+	-	-	↓	↑
2	-	+	+	-	↓	↑
3	-	-	+	+	↓	↑
4	+	-	-	+	↓	↑



5	change tolerance	02.11.16	A.S.		APVD	S.Ha.	19.03.07	STEPPING MOTOR DWG.NO ST5918L3008-B
4	NEW IND./REW. DR./DIM. M2.5	22.03.16	A.S.		CHKD			
3	NEW VALUE OF HOLD. TOR.	04.11.13.	J.D.	Surface specification DIN ISO 1302	DRN	J.W.	21.11.06	
REV	DESCRIPTION	DATE	DRN	General tolerances DIN ISO 2768- cH	Work piece edge DIN ISO 13715	SIGNATURE	DATE	