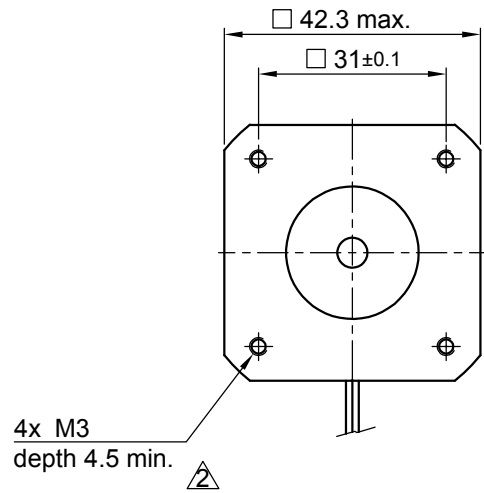
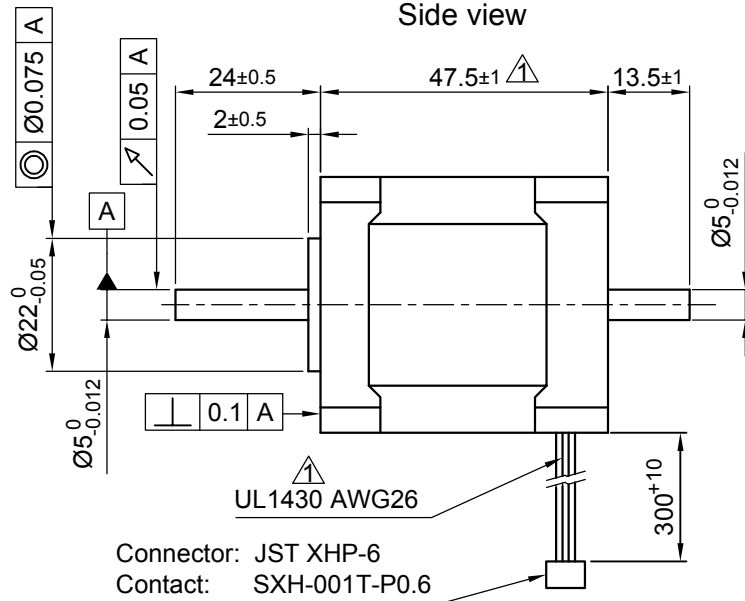


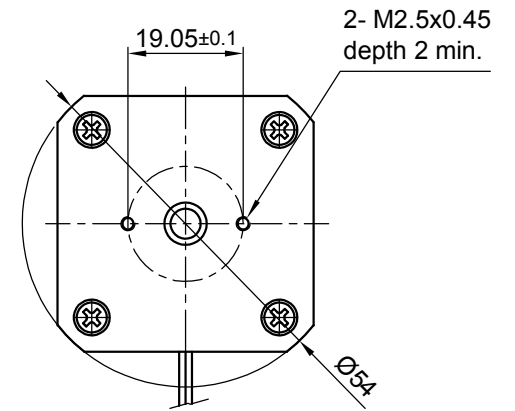
Front view and mounting



Side view



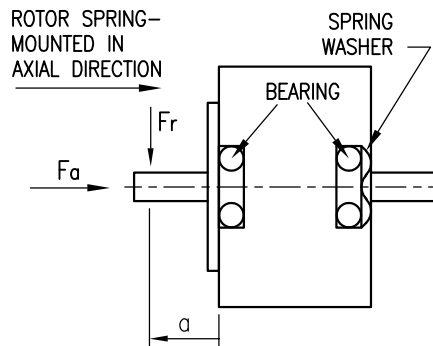
Rear view



Connector: JST XHP-6
Contact: SXH-001T-P0.6

| SPECIFICATION | CONNECTION | |
|--|-------------------------------|-------------------|
| | UNIPOLAR OR BIPOLAR-1 WINDING | BIPOLAR SERIES |
| VOLTAGE (VDC) | 3.96 | 5.61 |
| AMPS/PHASE | 1.2 | 0.85 |
| RESISTANCE/PHASE (Ohms)@25°C | 3.3±15% | 6.6±15% |
| INDUCTANCE/PHASE (mH) @1KHz | 4.8±20% Δ | 19.2±20% Δ |
| HOLDING TORQUE (Nm) [lb-in] | 0.31 [2.744] | 0.438 [3.876] |
| STEP ANGLE (°) | 0.9 | |
| STEP ACCURACY (NON-ACCUM) | ±5% Δ | |
| ROTOR INERTIA (Kg-m ²) [lb-in ²] | 6.8x10 ⁻⁶ [0.0232] | |
| WEIGHT (Kg) [lb] | 0.35 [0.77] | |

PERMISSIBLE RADIAL+AXIAL FORCE

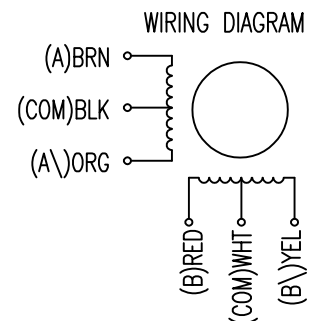


| TYPE OF CONNECTION (EXTERN) | MOTOR | | |
|-----------------------------|----------|-------------------------|---------------------------------|
| | UNIPOLAR | BIPOLAR 1WINDING SERIES | CONNECTOR PIN NO. LEADS WINDING |
| A --- | A --- | A --- | 1 BRN A |
| COM --- | COM --- | COM --- | 5 BLK COM |
| A\ --- | A\ --- | A\ --- | 3 ORG A\ |
| B --- | B --- | B --- | 2 RED B |
| COM --- | COM --- | COM --- | 6 WHT COM |
| B\ --- | B\ --- | B\ --- | 4 YEL B\ |

for >speed \leftarrow
for <speed \leftarrow

FULL STEP 2 PHASE-Ex.,
WHEN FACING MOUNTING END (X)

| STEP | WINDING | | | | CCW |
|------|---------|---|----|----|-----|
| | A | B | A\ | B\ | |
| 1 | + | + | - | - | |
| 2 | - | + | + | - | |
| 3 | - | - | + | + | |
| 4 | + | - | - | + | |



| TEMPERATURE RISE: MAX.80°C (MOTOR STANDSTILL; FOR 2 PHASE ENERGIZED) | AXIAL-FORCE Fa (N) | |
|--|---------------------|-------------|
| | AXIAL | RADIAL |
| AMBIENT TEMPERATURE -10°~ 50°C [14°F ~ 122°F] | Fa=7 | |
| INSULATION RESISTANCE 100 MOhm (UNDER NORMAL TEMPERATURE AND HUMIDITY) | DISTANCE a (mm) | 5 10 15 20 |
| INSULATION CLASS B 130° [266°F] | RADIAL-FORCE Fr (N) | 58 36 26 20 |
| DIELECTRIC STRENGTH 500VAC FOR 1 MIN. (BETWEEN THE MOTOR COILS AND THE MOTOR CASE) | SHAFT PLAY (mm) | 0.075 0.025 |
| AMBIENT HUMIDITY MAX. 85% (NO CONDENSATION) | AT LOAD MAX: (N) | 10 5.0 |

| REV | DESCRIPTION | DATE | DRN | Surface specification DIN ISO 1302 | | | General tolerances DIN ISO 2768- cH | | | Work piece edge DIN ISO 13715 | | | APVD S.Ha. 26.02.07 | | CHKD | | DRN J.W. 28.06.06 | | SIGNATURE | | DATE | | DWG.NO | |
|---------------------------------|--------------------------|----------|------|------------------------------------|--|--|-------------------------------------|--|--|-------------------------------|--|--|---------------------|--|------|--|-------------------|--|-----------|--|------|--|--------|--|
| 2 | change tol./revise draw. | 17.05.17 | A.S. | | | | | | | | | | | | | | | | | | | | | |
| 1 | INDUCTANCE+UL NO.+LENGTH | 05.05.09 | J.W. | | | | | | | | | | | | | | | | | | | | | |
| Nanotec® PLUG & DRIVE | | | | | | | | | | | | | | | | | | | | | | | | |
| STEPPING MOTOR | | | | | | | | | | | | | | | | | | | | | | | | |
| ST4209L1206-B | | | | | | | | | | | | | | | | | | | | | | | | |