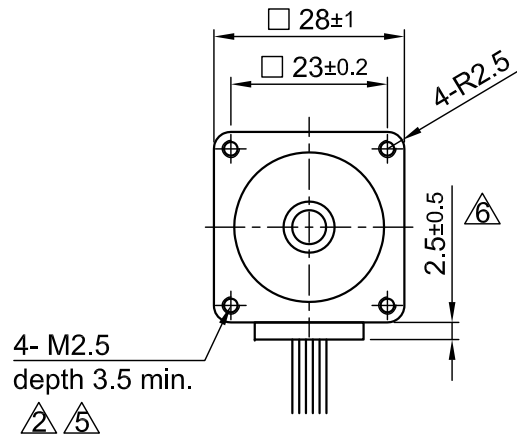
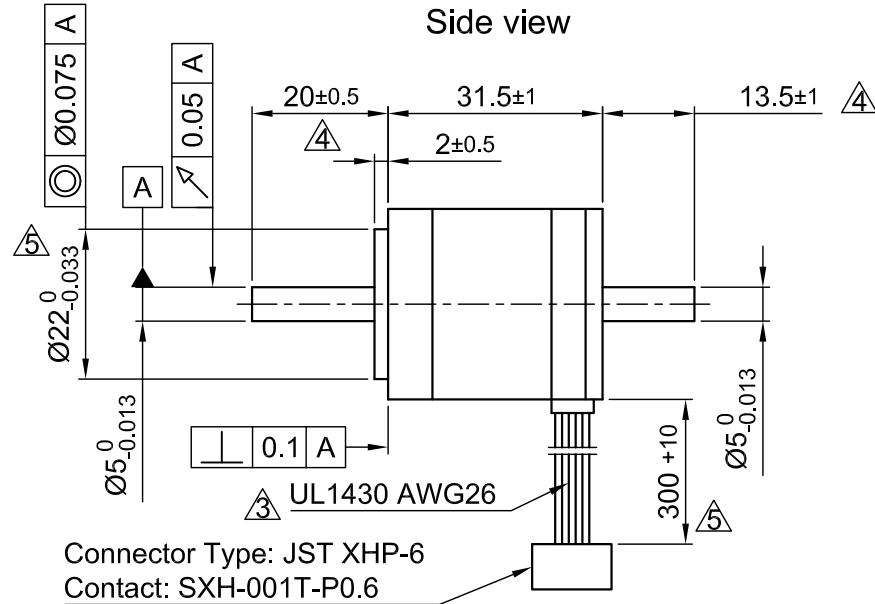


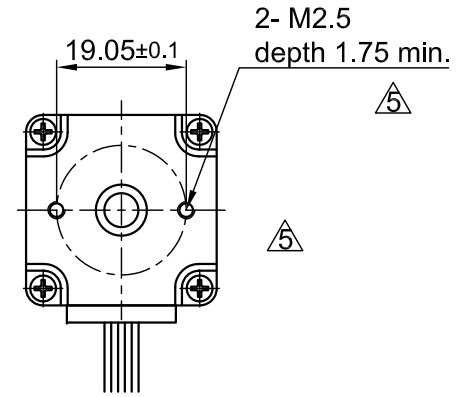
Front view and mounting



Side view

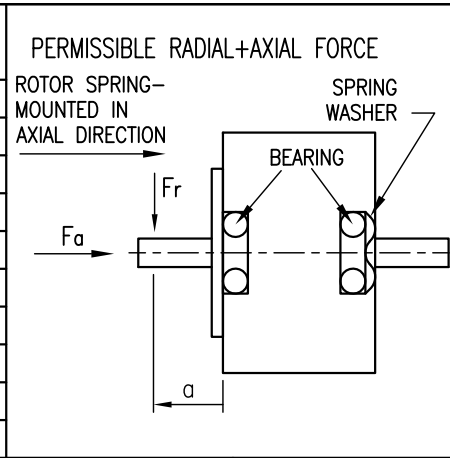


Rear view



Connector Type: JST XHP-6
Contact: SXH-001T-P0.6

SPECIFICATION	UNIPOLAR OR BIPOLAR-1 WINDING	BIPOLAR SERIES
VOLTAGE (VDC)	2.66	3.75
AMPS/PHASE	0.95	0.67
RESISTANCE/PHASE (Ohms)@25°C	2.8±15%	5.6±15%
INDUCTANCE/PHASE (mH) @1KHz	1.0±20%	4.0±20%
HOLDING TORQUE (Nm) [lb-in]	0.043 [0.381]	0.061 [0.538]
DETENT TORQUE (Nm) [lb-in]	2.5x10 ⁻³ [0.0222]	
STEP ANGLE (°)	1.8	
STEP ACCURACY (NON-ACCUM)	±5%	
ROTOR INERTIA (Kg-m ²) [lb-in ²]	9x10 ⁻⁷ [3.074x10 ⁻³]	
WEIGHT (Kg) [lb]	0.11 [0.242]	

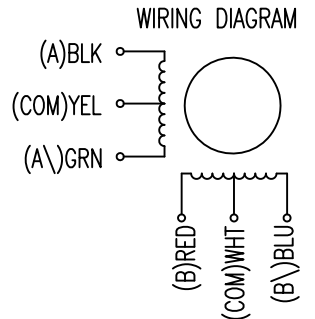


TYPE OF CONNECTION (EXTERN)			MOTOR		
UNIPOLAR	BIPOLAR		CONNECTOR PIN NO.	LEADS	WINDING
	1WINDING	SERIES			
A ---	A ---	A ---	1	BLK	A
COM ---	COM ---		5	YEL	COM
A\ ---		A\ ---	3	GRN	A\
B ---	B ---	B ---	2	RED	B
COM ---	COM ---		6	WHT	COM
B\ ---		B\ ---	4	BLU	B\

for >speed ←
for <speed ←

FULL STEP 2 PHASE-Ex., WHEN FACING MOUNTING END (X)

STEP	A	B	A\	B\	
1	+	+	-	-	CCW
2	-	+	+	-	
3	-	-	+	+	CW
4	+	-	-	+	



TEMPERATURE RISE: MAX.80°C (MOTOR STANDSTILL; FOR 2 PHASE ENERGIZED)		AXIAL-FORCE Fa (N)		Fa=7	
AMBIENT TEMPERATURE -10~ 50°C [14°F ~ 122°F]		DISTANCE a (mm)		5	10
INSULATION RESISTANCE 100 MOhm (UNDER NORMAL TEMPERATURE AND HUMIDITY)		RADIAL-FORCE Fr (N)		58	36
INSULATION CLASS B 130° [266°F]				AXIAL	RADIAL
DIELECTRIC STRENGTH 500VAC FOR 1 MIN. (BETWEEN THE MOTOR COILS AND THE MOTOR CASE)		SHAFT PLAY (mm)		0.075	0.025
AMBIENT HUMIDITY MAX. 85% (NO CONDENSATION)		AT LOAD MAX: (N)		10	5.0

6	change tolerance/ revise drawing	11.01.17	A.S.
5	CHANGE TOL. M2.5/φ22/ rework draw	16.12.15	A.S.
4	CHANGE TOLERANCE	21.02.14	J.D.
REV	DESCRIPTION	DATE	DRN

Nanotec
PLUG & DRIVE

Surface specification DIN ISO 1302	General tolerances DIN ISO 2768- ch	Work piece edge DIN ISO 13715
---------------------------------------	--	----------------------------------

APVD	S.K.	06.06.06
CHKD		
DRN	J.W.	06.06.06
SIGNATURE	DATE	

STEPPING MOTOR

DWG.NO
ST2818S1006-B