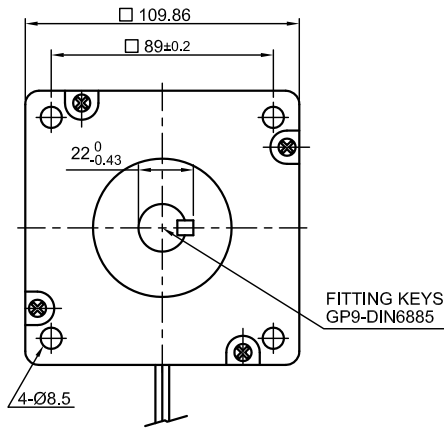
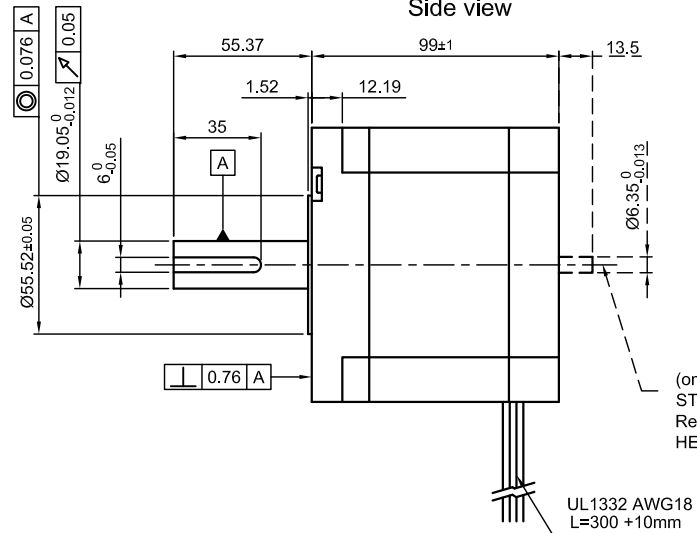


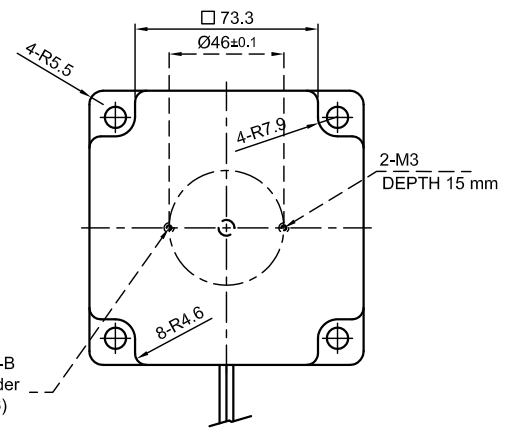
Front view and mounting



Side view



Rear view

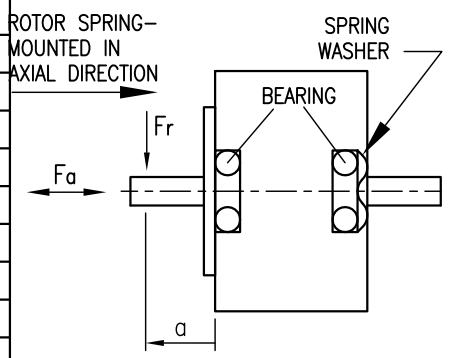


(only for type ST11018S5504-B Ready for encoder HEDS6540-C06)

UL1332 AWG18 L=300+10mm

CONNECTION	BIPOLAR
SPECIFICATION	
VOLTAGE (VDC)	3.85
AMPS/PHASE	5.5
RESISTANCE/PHASE (Ohms)@25°C	0.7±15%
INDUCTANCE/PHASE (mH) @1KHz	9.8±20%
HOLDING TORQUE (Nm) [lb-in]	11.7 [103.5]
DETENT TORQUE (Nm) [lb-in]	0.35 [3.11]
STEP ANGLE (°)	1.8
STEP ACCURACY (NON-ACCUM)	±5%
ROTOR INERTIA (Kg-m ²) [lb-in ²]	5.50x10 ⁻⁴ [1.879]
WEIGHT (Kg) [lb]	5.0 [11.03]

PERMISSIBLE RADIAL+AXIAL FORCE



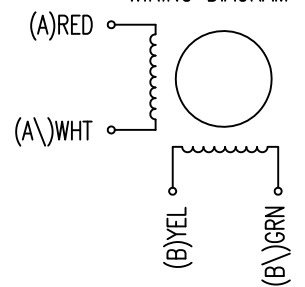
AXIAL-FORCE Fa (N)	Fa=80			
DISTANCE a (mm)	5	10	15	20
RADIAL-FORCE Fr (N)	640	425	320	240
	AXIAL	RADIAL		
SHAFT PLAY (mm)	0.075	0.025		
AT LOAD MAX: (N)	10	5.0		

TYPE OF CONNECTION (EXTERN)	MOTOR	
	LEADS	WINDING
A —	RED	A
A\ —	WHT	A\
B —	YEL	B
B\ —	GRN	B\

FULL STEP 2 PHASE-Ex., WHEN FACING MOUNTING END (X)

STEP	A	B	A\	B\	CCW	CW
1	+	+	-	-	↓	↑
2	-	+	+	-	↓	↑
3	-	-	+	+	↓	↑
4	+	-	-	+	↓	↑

WIRING DIAGRAM



REV	DESCRIPTION	DATE	APVD
2	NEW VALUES OF VOLTEGE	26.11.08	J.W.
1	NEW VALUES	14.11.07	J.W.

Nanotec
PLUG & DRIVE
ST11018S5504

SCALE	FREE	APVD	S.Ha.	16.01.07
X	±0.5	CHKD		
1PL	±0.2	DRN	J.W.	24.07.06
2PL	±0.1	SIGNATURE		DATE
ANGLE	±30'			

STEPPING MOTOR
DWG.NO ST11018S5504