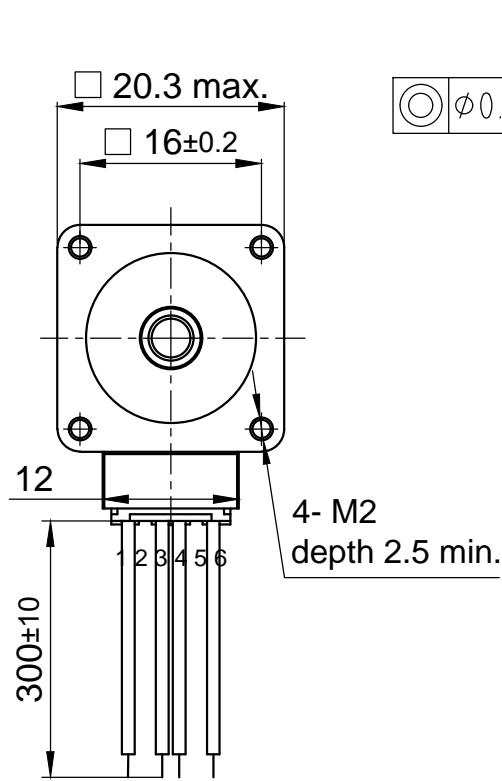
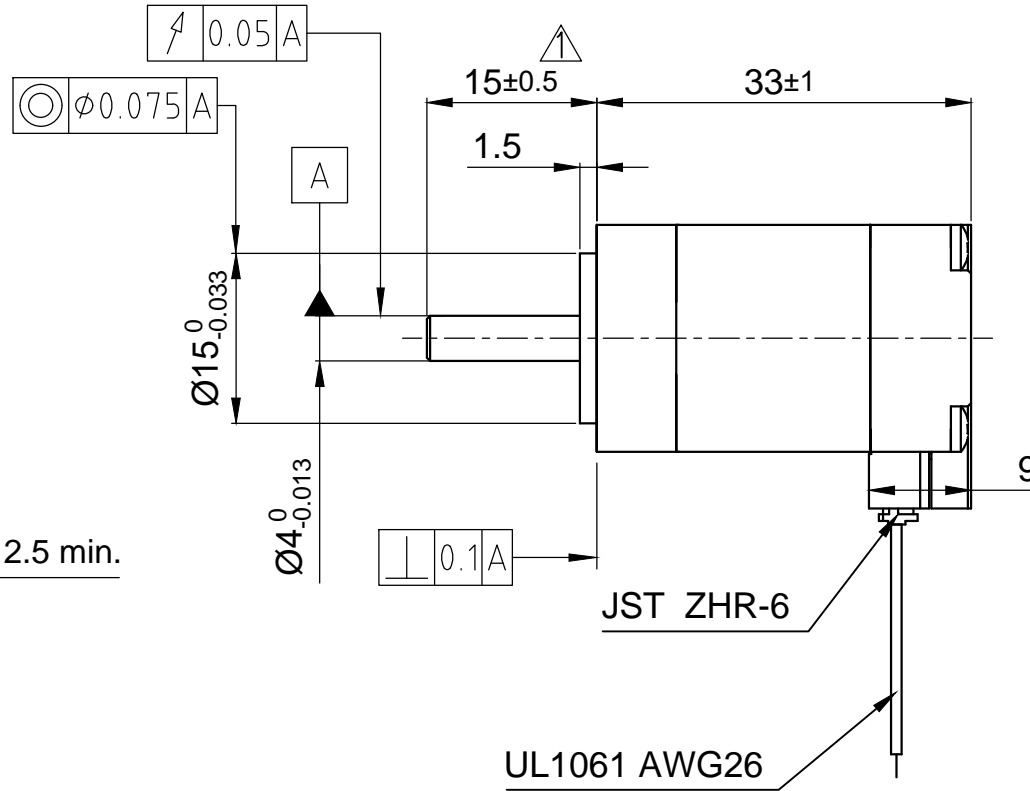


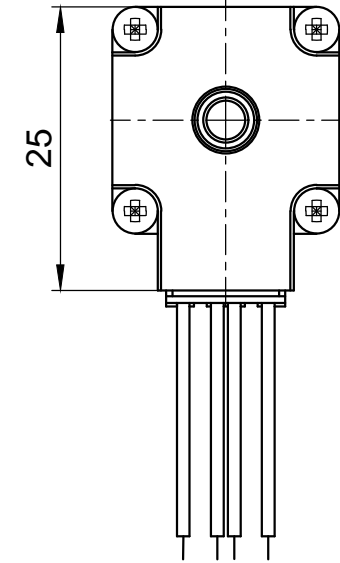
Front view and mounting



Side view



Rear view



MOTOR SPECIFICATION		
Voltage	V DC	3.9
Current per Winding	A	0.6
Resistance per Phase (25°C)	±15% Ω	6.5
Inductance per Phase (1 kHz)	±20% mH	2.6
Holding Torque	Nm	0.022
Step Angle	±5% °	1.8
Rotor Inertia	kg m <sup>2</sup>	0.2 x 10 <sup>-6</sup>

GENERAL MOTOR SPECIFICATION			
Ambient Temperature	°C	Min. -10	Max. 50
Max. Temperature Rise (at standstill - 2 phases energized)	°C	80	
ATTN: MAKE SURE TEMPERATURE OF MOTOR CASE REMAINS BELOW 100°C			
Max. Ambient Humidity (non condensing)	%	85	
Insulation Class		B	
Insulation Resistance	MΩ	100	
Dielectric Strength (for 1 min - coil to case)	V AC	500	

TYPE OF CONNECTION			
Series	Wire Col.	Pin No.	Winding
A	BK	1	[Symbol]
A\	GN	3	
B	RD	6	[Symbol]
B\	BU	4	

A-Shaft		Preload Spring		B-Shaft	
Max. Axial Force $F_a$	N	4			
Max. Radial Force $F_r$ ( $a_1 = 5$ mm)	N	10			
Axial Play	$F_a = 4$ N	mm	0.08		
Radial Play	$F_r = 4$ N	mm	0.02		

ISO 8015	ISO 1302	ISO 2768-1 cK	ISO 13715	Weight: 0.06 kg
		Date	Name	SCA2018S0604-A
		Drawn	Schneid_A	
		Checked	Seimel_G	
		Approved	Seimel_G	
01	change tolerance A-shaft	Schneid_A	03.07.2018	01200058
REV	Rev. Text	Name	Rel. Date	State: Released

