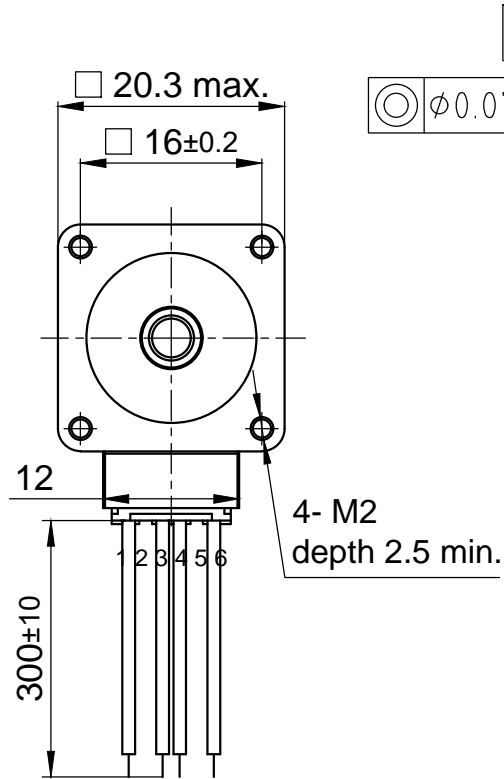
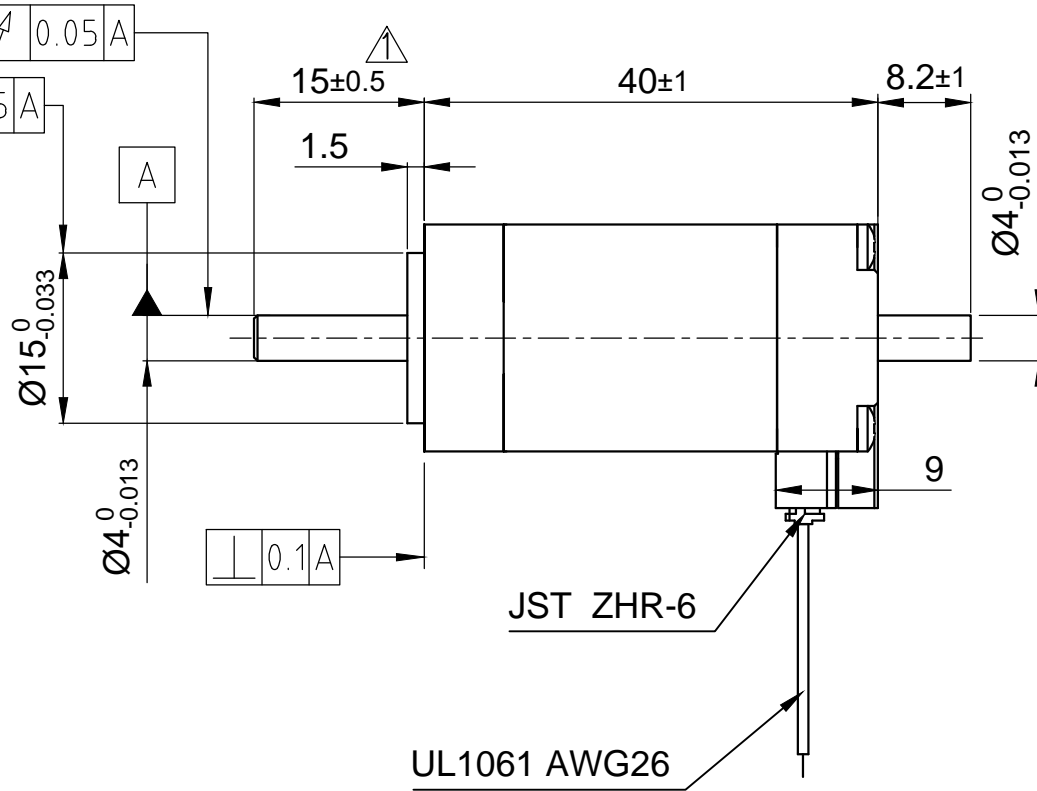


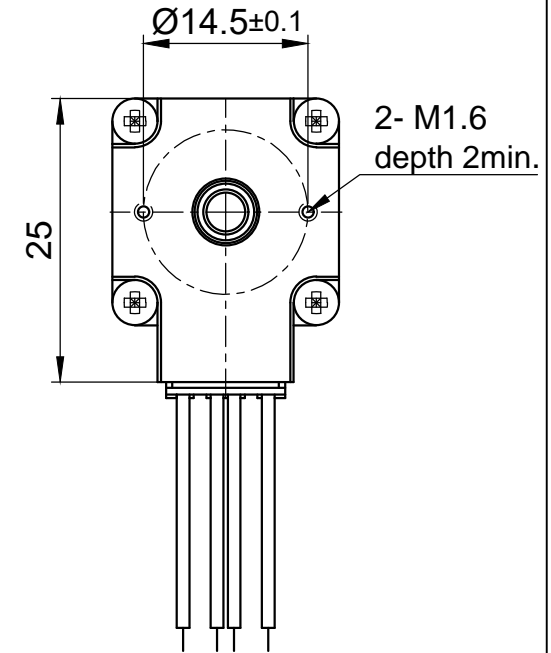
Front view and mounting



Side view



Rear view



| MOTOR SPECIFICATION | | |
|------------------------------|-------------------|-------------------------|
| Voltage | V DC | 4.5 |
| Current per Winding | A | 0.8 |
| Resistance per Phase (25°C) | ±15% Ω | 5.6 |
| Inductance per Phase (1 kHz) | ±20% mH | 2.3 |
| Holding Torque | Nm | 0.036 |
| Step Angle | ±5% ° | 1.8 |
| Rotor Inertia | kg m ² | 0.29 x 10 ⁻⁶ |

| GENERAL MOTOR SPECIFICATION | | | |
|---|------|----------|---------|
| Ambient Temperature | °C | Min. -10 | Max. 50 |
| Max. Temperature Rise (at standstill - 2 phases energized) | °C | 80 | |
| ATTN: MAKE SURE TEMPERATURE OF MOTOR CASE REMAINS BELOW 100°C | | | |
| Max. Ambient Humidity (non condensing) | % | 85 | |
| Insulation Class | | B | |
| Insulation Resistance | MΩ | 100 | |
| Dielectric Strength (for 1 min - coil to case) | V AC | 500 | |

| TYPE OF CONNECTION | | | |
|--------------------|-----------|---------|----------|
| Series | Wire Col. | Pin No. | Winding |
| A | BK | 1 | [Symbol] |
| A\ | GN | 3 | |
| B | RD | 6 | [Symbol] |
| B\ | BU | 4 | |

| A-Shaft | | Preload Spring | | B-Shaft | |
|----------------------------------|----------|----------------|--|---------|--|
| Fa | Fr | | | | |
| Max. Axial Force Fa | N | | | 4 | |
| Max. Radial Force Fr (a1 = 5 mm) | N | | | 10 | |
| Axial Play | Fa = 4 N | mm | | 0.08 | |
| Radial Play | Fr = 4 N | mm | | 0.02 | |

| ISO 8015 | ISO 1302 | ISO 2768-1 cK | ISO 13715 |
|----------|--------------------------|---------------|------------|
| | | | |
| | | Date | Name |
| | | Drawn | 24.01.2018 |
| | | Checked | 07.02.2018 |
| | | Approved | 02.03.2018 |
| 01 | change tolerance A-shaft | Schneid_A | 03.07.2018 |
| REV | Rev. Text | Name | Rel. Date |

| | | | |
|-----------------|--|---------|---|
| SCA2018M0804-B | | | |
| 01200057 | | | |
| State: Released | | Rev: 01 | P |

