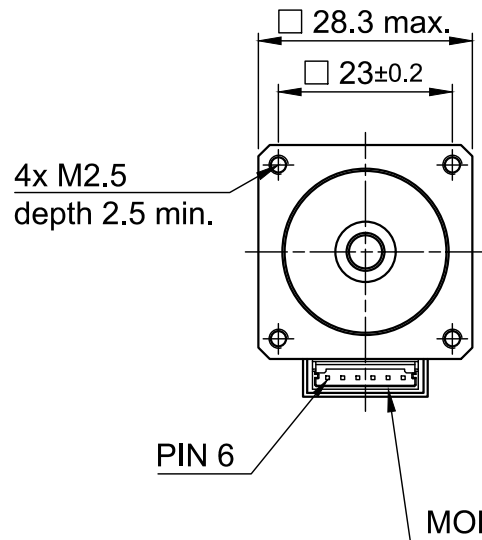
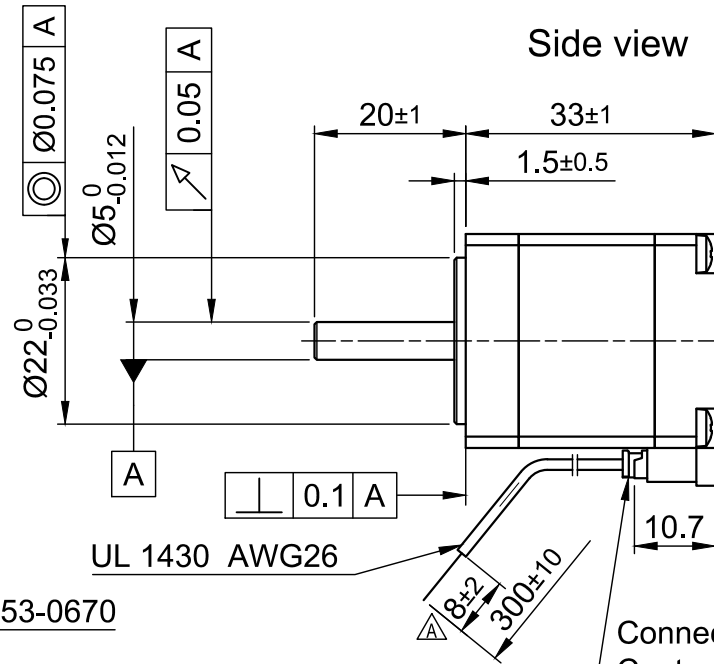


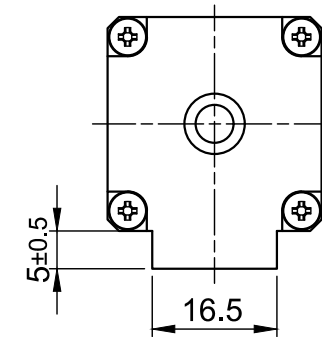
Front view and mounting



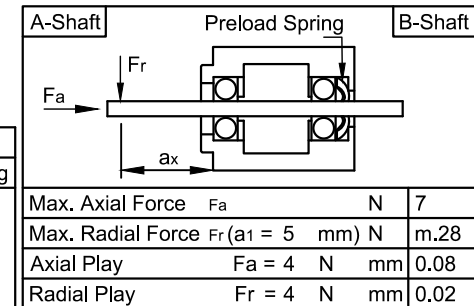
Side view



Rear view



Connector: MOLEX 51065-0600  
Contact: MOLEX 50212-8000



TYPE OF CONNECTION			
Series	Pin No.	Wire Col.	Winding
A	1	BK	
A\	3	GN	
B	4	RD	
B\	6	BU	

MOTOR SPECIFICATION		
Voltage	V DC	1.95 $\Delta_B$
Current per Winding	A	1.5
Resistance per Phase (25°C) $\pm 15\%$	$\Omega$	1.3
Inductance per Phase (1 kHz) $\pm 20\%$	mH	1.0
Holding Torque	Nm	0.09
Step Angle	$\pm 5\%$ °	1.8
Rotor Inertia	kg m <sup>2</sup>	0.9 x 10 <sup>-6</sup>

GENERAL MOTOR SPECIFICATION			
Ambient Temperature	°C	Min. -20	Max. 50
Max. Temperature Rise (at standstill - 2 phases energized)	°C	80	
ATTN: MAKE SURE TEMPERATURE OF MOTOR CASE REMAINS BELOW 100°C $\Delta_A$			
Max. Ambient Humidity (non condensing)	%	85	
Insulation Class		B	
Insulation Resistance	M $\Omega$	100	
Dielectric Strength (for 1 min - coil to case)	V AC	500	

ISO 8015	ISO 1302	ISO 2768-1 cK	ISO 13715	Weight: 0.11 kg
		Date	Name	SC2818S1504-A
		Drawn 04.12.2017	Import	
		Checked 12.01.2018	Seimel_G	
		Approved 12.01.2018	Seimel_G	
01	added note	Schneid_A	25.01.2018	01000112
REV	Rev. Text	Name	Rel. Date	State: Released
				Rev: 01
				P