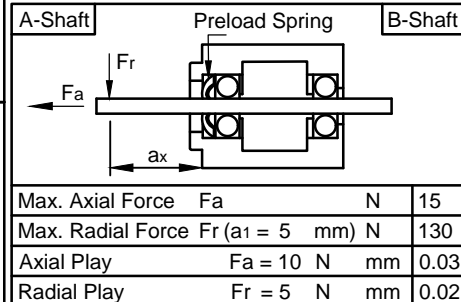
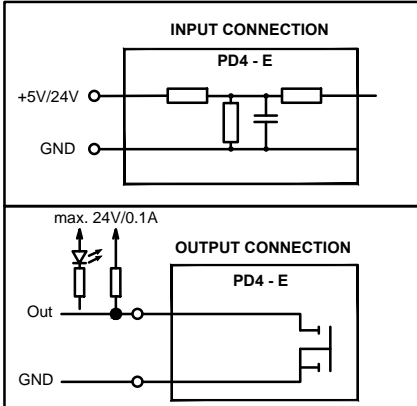


X1		CANopen IN	
		M12/ 5-Pole / A-Coding / male	
X2		CANopen OUT	
		M12/ 5-Pole / A-Coding / female	
Pin No.	Function		
1	CAN_SHLD		
2	+UB Logic (24V)		
3	GND		
4	CAN+		
5	CAN-		
X3		POWER	
		M12/ 5-Pole / B-Coding / male	
Pin No.	Function		
1	+UB (12-48V)		
2	+UB (12-48V)		
3	GND		
4	GND		
5	N.C.		
X4		IO	
		M12/ 12-Pole / A-Coding / male	
Pin No.	Function		
1	GND		
2	Input 1 (+5V/+24V)		
3	Input 2 (+5V/+24V)		
4	Input 3 (+5V/+24V)		
5	Input 4 (+5V/+24V)		
6	Input 5 (+5V/+24V)		
7	Input 6 (+5V/+24V)		
8	Analog Input (0-10V/0-20mA)		
9	Output 1 (open drain)		
10	Output 2 (open drain)		
11	+5V Voltage Supply (max. 100mA)		
12	+UB Logic (24V)		

MOTOR SPECIFICATION			
No. of Poles	6		
Rated Voltage	V DC	48	
Operating Voltage - Min. / Max.	V DC	12	48
Current - Rated / Peak	A	6	18
Torque - Rated / Peak	Nm	0.6	1.8
Torque Constant	Nm/A	0.1	
Power - Rated / Peak	W	220	660
Speed - No Load / Rated	rpm	4500	3500
Singleturn Encoder Resolution	bit	12	
Rotor Inertia	kg m ²	17.3	x10 ⁻⁶

GENERAL MOTOR SPECIFICATION			
Interface	CANOPEN		
Ambient Temperature	°C	Min.	-10 Max. 40
Switch-off Temperature	°C		75
Max. Ambient Humidity (non condensing)	%		85
Insulation Class			B
Insulation Resistance	MΩ		100
Dielectric Strength (for 1 min - coil to case)	V AC		500
Protection Class (except shaft outlet)			IP65



ISO 8015	ISO 1302	ISO 2768-1 cK	ISO 13715	Weight: 1.35 kg
		Date	Name	PD4-EB59CD-E-65-2
		Drawn	Import	
		Checked	Wang_X	
		Approved	Wang_X	09000009
REV	Rev. Text	Name	Rel. Date	State: Released
				Rev: -.B

