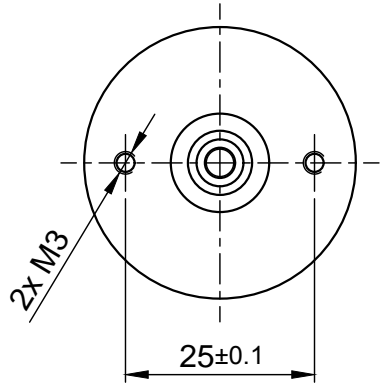
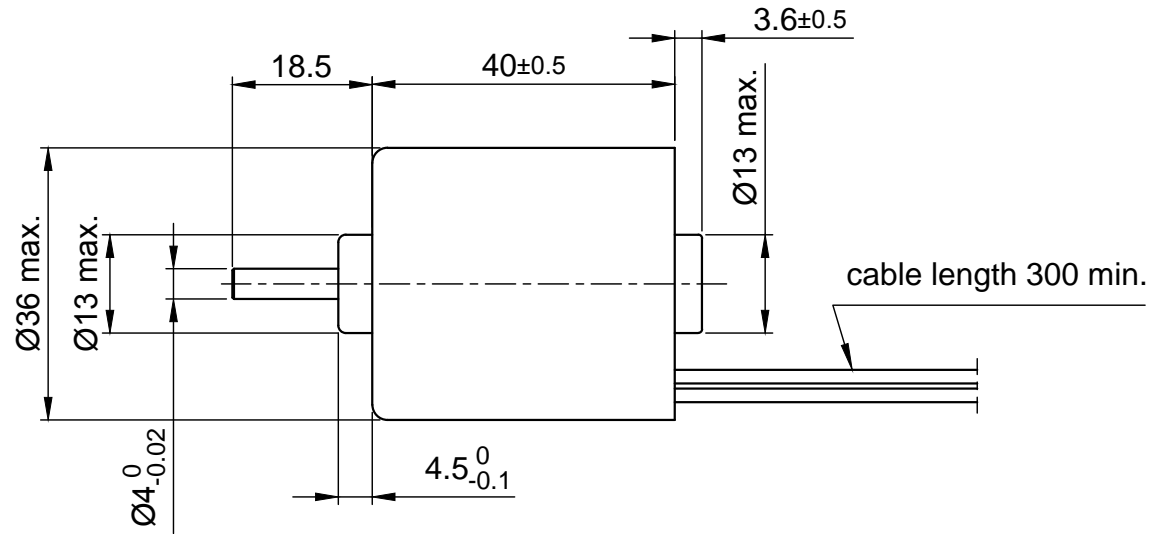


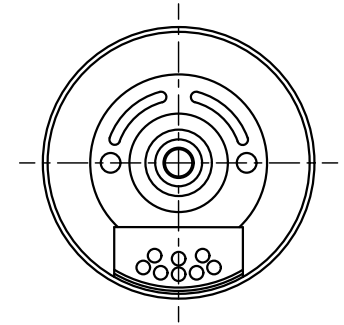
Front view and mounting



Side view



Rear view

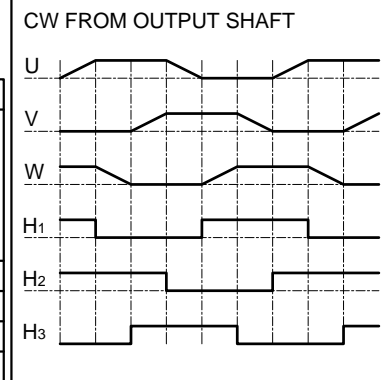
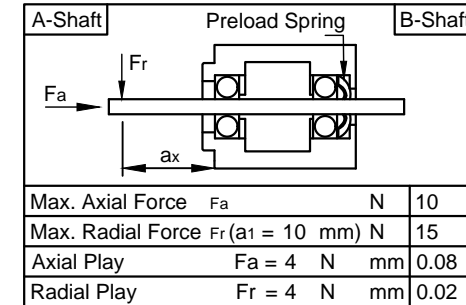


MOTOR SPECIFICATION

| | | | |
|----------------------------------|-------------------|-------|-------------------|
| No. of Poles | 8 | | |
| Rated Voltage | V DC | 24 | |
| Current - Rated / Peak | A | 1.0 | 3.0 |
| Resistance Phase to Phase | ±15% Ω | 2.0 | |
| Inductance Phase to Phase (1kHz) | ±20% mH | 1.9 | |
| Torque - Rated / Peak | Nm | 0.035 | 0.105 |
| Torque Constant | Nm/A | 0.035 | |
| Power - Rated | W | 18 | |
| Speed - No Load / Rated | ±10% rpm | 6000 | 4800 |
| Rotor Inertia | kg m ² | 1.2 | x10 ⁻⁶ |

WIRING DIAGRAM

| | Colour | Function | Lead Gauge |
|---------------------------------|--------|----------|-----------------|
| Motor 8 pol. | YE | U | UL1430 AWG24 |
| | BN | V | |
| | OG | W | |
| Hall 24 Impl. per Rev. | RD | +5V | UL1430 AWG26 |
| | BU | H1 | |
| | GN | H2 | |
| | WH | H3 | |
| | BK | GND | |



GENERAL MOTOR SPECIFICATION

| | | | |
|------------------------------------------------------------|------|----------|---------|
| Ambient Temperature | °C | Min. -10 | Max. 50 |
| Max. Temperature Rise (at standstill - 2 phases energized) | °C | 80 | |
| Max. Ambient Humidity (non condensing) | % | 85 | |
| Insulation Class | | B | |
| Insulation Resistance | MΩ | 100 | |
| Dielectric Strength (for 1 min - coil to case) | V AC | 600 | |

| | | | | |
|----------|-----------|---------------------|-----------|-----------------|
| ISO 8015 | ISO 1302 | ISO 2768-1 cK | ISO 13715 | Weight: 0.16 kg |
| | | | | |
| | | Date | Name | DBL36M024048-A |
| | | Drawn 04.12.2017 | Import | |
| | | Checked 19.01.2018 | Seimel_G | |
| | | Approved 19.01.2018 | Seimel_G | |
| REV | Rev. Text | Name | Rel. Date | |



03000161

State: Released

Rev: -.D

P