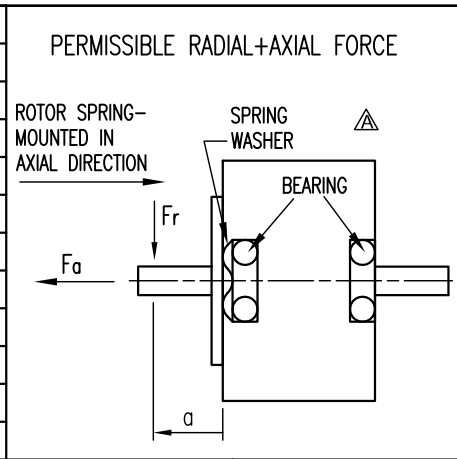
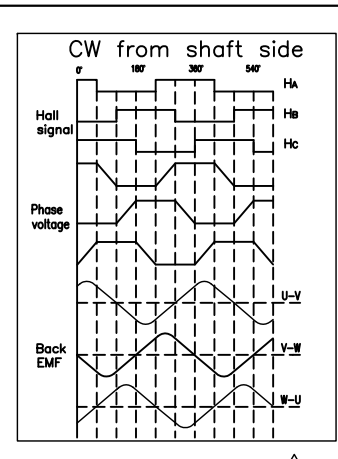


SPECIFICATION	CONNECTION	STAR
NO. OF POL./PHASE		6/3
VOLTAGE RATED (VDC)		24
CURRENT RATED/PEAK (AMP)		9.4/ 28
RESISTANCE/PHASE TO PHASE (Ohms) @20°C		0.22 ±10%
INDUCTANCE/PHASE TO PHASE (mH) @1KHz		0.29 ±20%
TORQUE RATED/PEAK (Nm) [lb-in]		0.47/1.41 [4.16/12.48]
TORQUE CONSTANT (Nm/A)/BACK-EMF (Vrms/kRPM)		0.05/ 3.8
POWER RATED (W)		172
SPEED RATED/NO LOAD (RPM)		3500/4500
ROTOR INERTIA (Kg-m <sup>2</sup> ) [lb-in <sup>2</sup> ]		11.9x10 <sup>-6</sup> [0.0406]
WEIGHT (Kg) [lb]		0.72 [1.58]



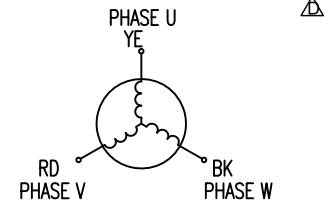
WIRING DIAGRAM			
	COLOR	FUNCTION	LEAD GAUGE
MOTOR 6 POL.	YE	U	UL1332 AWG18
	RD	V	
	BK	W	
HALL 18 IMPL. REV.	RD	+5V	UL1430 AWG26
	BU	H1	
	GN	H2	
	WH	H3	
	BK	GND	



TEMPERATURE RISE: MAX.80°C	AXIAL-FORCE Fa (N)	Fa=15
AMBIENT TEMPERATURE -10°~ 50°C [14°F ~ 122°F]	DISTANCE a (mm)	20
INSULATION RESISTANCE 100 MOhm (UNDER NORMAL TEMPERATURE AND HUMIDITY)	RADIAL-FORCE Fr (N)	75
INSULATION CLASS B 130° [266°F]		AXIAL RADIAL
DIELECTRIC STRENGTH 500VAC FOR 1 MIN. (BETWEEN THE MOTOR COILS AND THE MOTOR CASE)	SHAFT PLAY (mm)	0.025 0.025
AMBIENT HUMIDITY MAX. 85% (NO CONDENSATION)	AT LOAD MAX: (N)	40 4.6

AXIAL-FORCE Fa (N)	Fa=15
DISTANCE a (mm)	20
RADIAL-FORCE Fr (N)	75
	AXIAL RADIAL
SHAFT PLAY (mm)	0.025 0.025
AT LOAD MAX: (N)	40 4.6

STAR CONNECTION



1	change tolerance/revise draw.	30.05.17	A.S.
F	-	15.11.16	A.S.
E	Length	13.08.14	A.S.
REV	DESCRIPTION	DATE	DRN

**Nanotec**®  
 PLUG & DRIVE

Surface specification DIN ISO 1302	General tolerances DIN ISO 2768- cH	Work piece edge DIN ISO 13715
---------------------------------------	--	----------------------------------

APVD	G.S.	09.12.13
CHKD		
DRN	J.D.	09.12.13
SIGNATURE	DATE	

**BRUSHLESS DC MOTOR**  
 DWG.NO  
**DB59L024035R-A**