



### OPTIONS



### VERSIONS

Type	Rated Power W	Rated Torque Ncm	Rated Current A	Peak Current A	Rated Voltage V	Rated Speed rpm	Torque Constant Ncm/A	Rotor Inertia gcm <sup>2</sup>	Length „A“ mm	Weight kg
DB59S024035	84	23	5	15	24	3500	4.5	75	53.6 - 56.1	0.52
DB59M024035	135	37	8	24	24	3500	4.6	105	68.6 - 71.1	0.65
DB59L024035	172	47	9.4	28	24	3500	5	119	73.6 - 76.1	0.72
DB59C024035	220	60	13.6	40	24	3500	4.4	173	93.6 - 96.1	0.95
DB59S024035-R	84	23	5	15	24	3500	4.5	75	51.8 - 53.6	0.52
DB59M024035-R	135	37	8	24	24	3500	4.6	105	66.8 - 68.6	0.65
DB59L024035-R	172	47	9.4	28	24	3500	5	119	71.8 - 73.6	0.72
DB59C024035-R	220	60	13.6	40	24	3500	4.4	173	91.8 - 93.6	0.95

### ORDER IDENTIFIER



#### DB59S024035-

A = single shaft

B\* = double shaft end

B3\* = longer shaft end

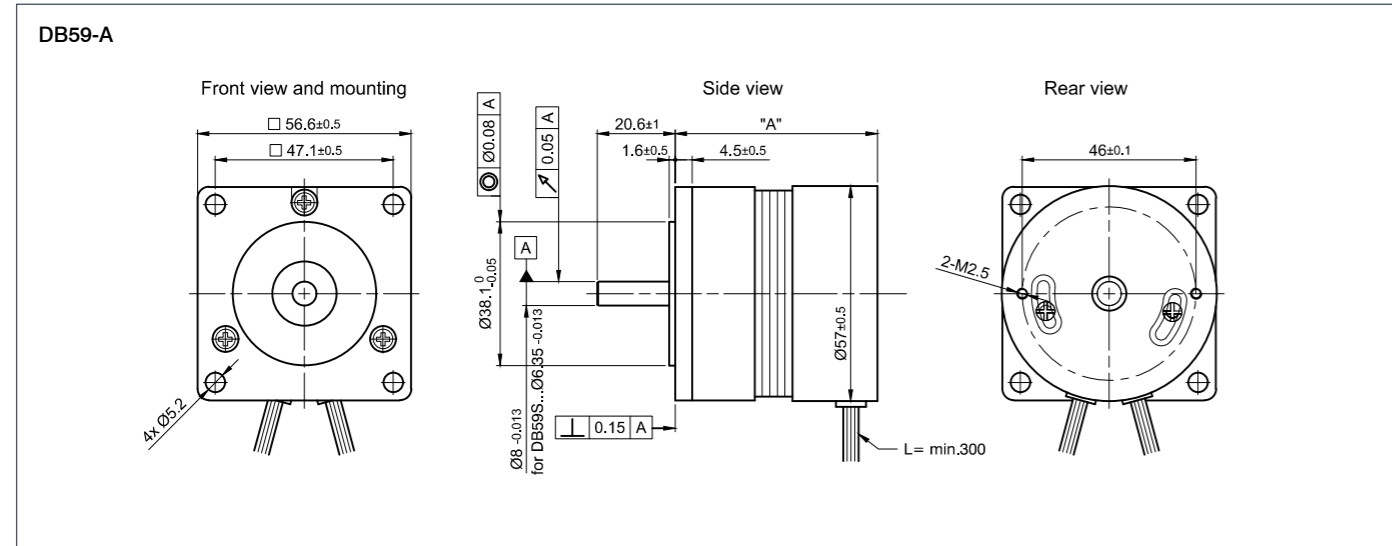
\* Available for individual configuration with encoder or encoder and brake on our website

### ACCESSORIES



**ZD-DF56** Damper

DIMENSIONS (IN MM)



DIMENSIONS (IN MM)

