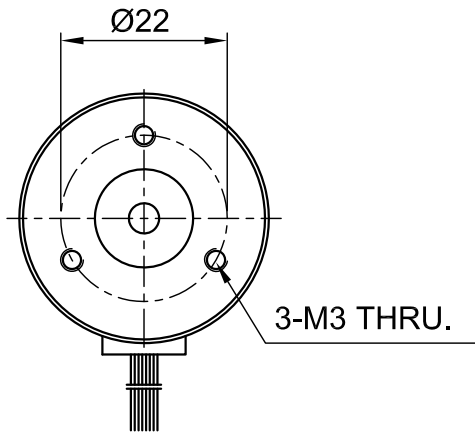
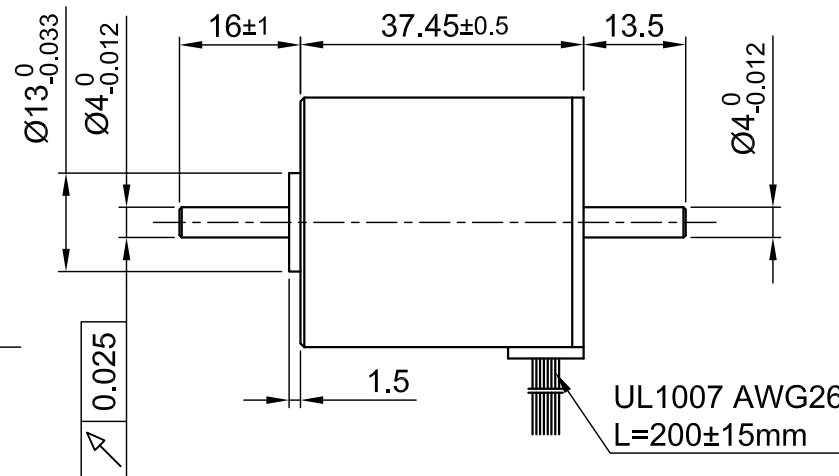


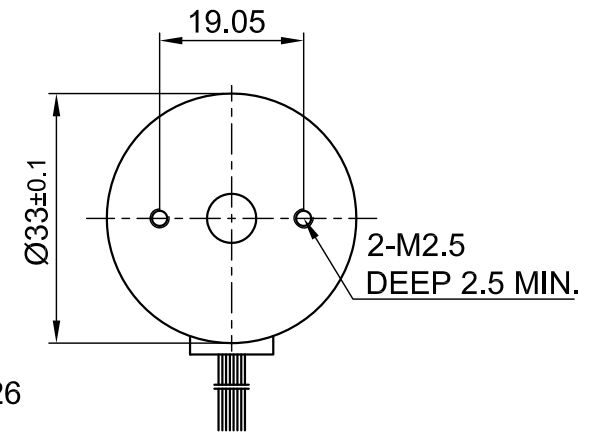
Front view and mounting



Side view

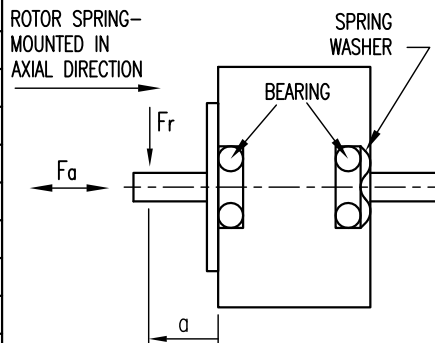


Rear view



SPECIFICATION	CONNECTION	STAR
NO OF POLES/PHASE		4/3
VOLTAGE RATED (VDC)		24
CURRENT RATED/PEAK (AMP)		0.56/1.4
RESISTANCE/LINE TO LINE (Ohms) @25°C		14.2±15% \triangle
INDUCTANCE/LINE TO LINE (mH) @1KHz		7.0±20%
TORQUE RATED/PEAK (Nm) [lb-in]		0.022/0.066 [0.188/0.564]
TORQUE CONSTANT (Nm/A)		0.046
POWER RATED/PEAK (W)		7.0/8.8
SPEED RATED/NO LOAD (RPM)		3000/4500
ROTOR INERTIA (Kg-m ²) [lb-in ²]		2.94x10 ⁻⁷ [1x10 ⁻³]
WEIGHT (Kg) [lb]		0.115 [0.249]

PERMISSIBLE RADIAL+AXIAL FORCE



AXIAL-FORCE F_a (N)	$F_a=10$	
DISTANCE a (mm)	10	
RADIAL-FORCE F_r (N)	15	
	AXIAL	RADIAL
SHAFT PLAY (mm)	0.08	0.02
AT LOAD MAX: (N)	4.5	4.5

WIRING DIAGRAM

	PIN	COLOR	FUNCTION	Dir. \longleftrightarrow					
				X	HI	HI	X	LOW	LOW
MOTOR 4 POL.	6	GRN	U	X	HI	HI	X	LOW	LOW
	7	RED	V	HI	X	LOW	LOW	X	HI
	8	BLK	W	LOW	LOW	X	HI	HI	X
HALL 12 IMPL. REV.	1	YEL	+5V						
	2	BLU	H1	0	0	0	1	1	1
	3	ORG	H2	0	1	1	1	0	0
	4	BRN	H3	1	1	0	0	0	1
	5	WHT	GND						

STAR CONNECTING

REV	DESCRIPTION	DATE	APVD
1	UPDT. RESISTANCE	01.12.14	J.D.



DB33S01

SCALE FREE	APVD	B.W.	13.11.08
X ±0.5	CHKD		
1PL ±0.2	DRN	J.W.	13.11.08
2PL ±0.1	SIGNATURE	DATE	
ANGLE ±30'			

BRUSHLESS DC MOTOR

DWG.NO

DB33S01