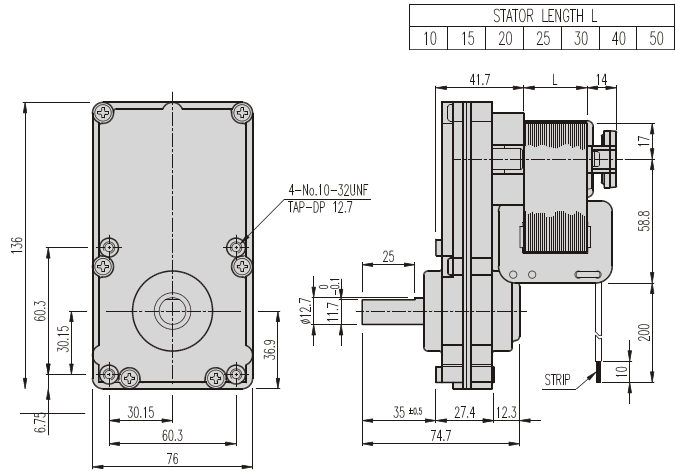


KGA-TYPE

DIMENSIONS

KGA SERIES



AT MAXIMUM EFFICIENCY

MODEL	KAE-6120				KAE-6130				KAE-6140				KAE-6150			
	50		60		50		60		50		60		50		60	
FREQ. (Hz)	50		60		50		60		50		60		50		60	
GEAR RATIO	rpm	kgf.cm	rpm	kgf.cm	rpm	kgf.cm	rpm	kgf.cm	rpm	kgf.cm	rpm	kgf.cm	rpm	kgf.cm	rpm	kgf.cm
1/460	5,2	23,2	6,3	18,0	5,2	45,2	6,3	33,2	5,2	50	6,3	50	5,2	50	6,3	50
1/998	2,4	50	2,9	39,2	2,4	50	2,9	50	2,4	50	2,9	50	2,4	50	2,9	50

- * Above data is based on general type of shaded pole motor applied.
- * These gear ratios are same rotation direction with motor.