

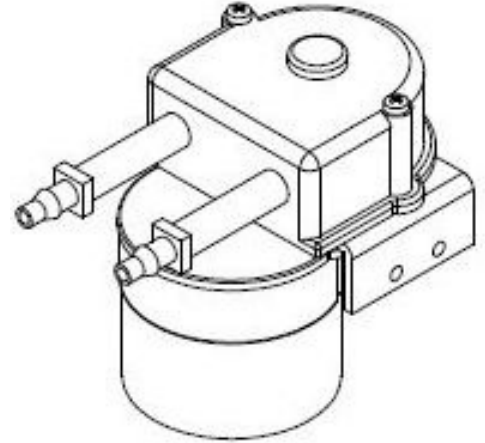
## 200 series AC powered Pumps

Drawing sheet AC Motors of 3, 8, 15, & 30 rpm (last updated Sept 2011)

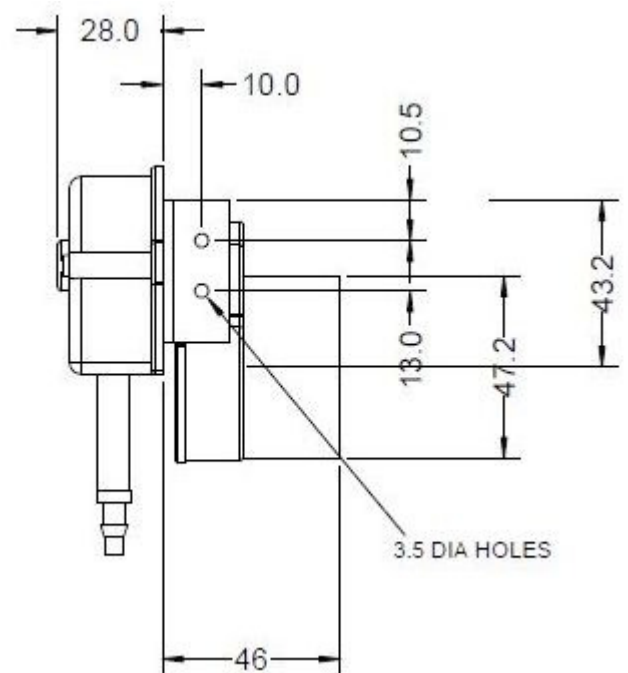
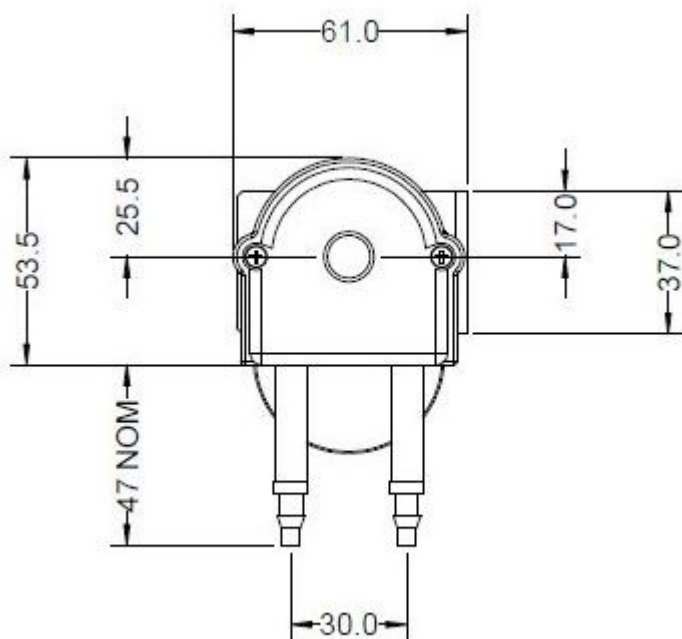


The mini range of peristaltic pumps has been designed to offer the OEM a low cost compact and reliable means of dosing a wide range of liquids. As with all peristaltic pumps they have excellent suction performance, self priming up to 5 metres from dry and capable of pumping up to 10m head pressure. Peristaltic pumps offer a good level of accuracy and repeatability and as only the tube contacts the pumped media, they are corrosion resistant, easy to clean and inexpensive to maintain. Depending on tubing ID and motor voltage & RPM, the 200 series pump offers flow rates between 4ml/min-1 and 219ml/min-1.in.

The easiest way to place an order or check prices is via our online shop at <http://www.williamson-shop.co.uk> but please contact us for any requirements not listed or to place an order over the phone.



Please note the drawing on this sheet illustrates AC Motors of 3, 8, 15, & 30 rpm.



The Williamson Manufacturing Company Ltd provides no warranty on usage of pumps. We recommend that life tests be carried out prior to use. This information is given in good faith and believed to be correct and current at time of publishing. The Williamson Manufacturing Company Ltd cannot accept responsibility for its inaccuracy or any errors or omissions contained herein. Copyright The Williamson Manufacturing Company Ltd 2008