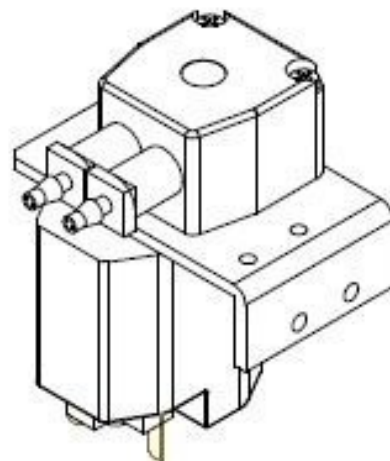


# 100 series DC powered Pumps

Drawing sheet 1, Brushed DC Motors of 5, 10, 35, 70 & 140 rpm (last updated Sept 2011)

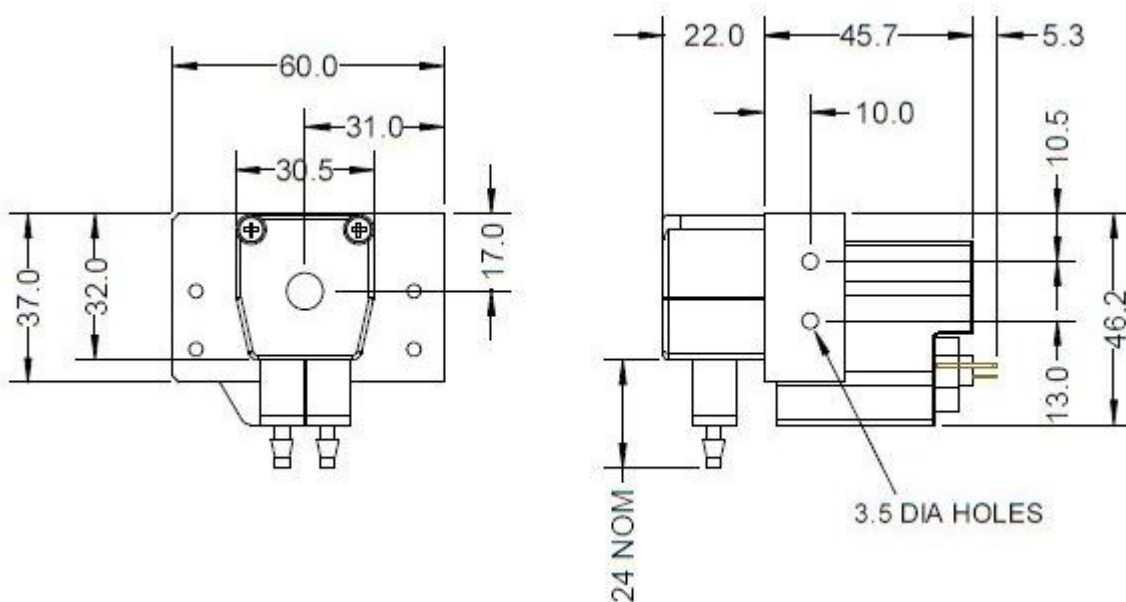


The micro range of peristaltic pumps was designed by the Williamson Manufacturing Company to offer the OEM a low cost compact and reliable means of dosing a wide range of liquids. As with all peristaltic pumps they have excellent suction performance, self-priming up to 5 metres from dry and capable of pumping up to 10m head pressure. Peristaltic pumps offer a good level of accuracy and repeatability and as only the tube contacts the pumped media, they are corrosion resistant, easy to clean and inexpensive to maintain. The 100 series pump heads have an ABS housing, 2 or 4 ground stainless steel rollers, and an acetal roller assembly to ensure durability and performance. Flow rates differ for the 2 and 4 roller assemblies and according to tube size, from <math><1\text{ml}/\text{min}</math> up to 18 ml/min



The easiest way to place an order or check prices is via our online shop at <http://www.williamson-shop.co.uk> but please contact us for any requirements not listed or to place an order over the phone.

**Please note the drawing on this sheet illustrates Brushed DC Motors of 5, 10, 35, 70 & 140 rpm.**



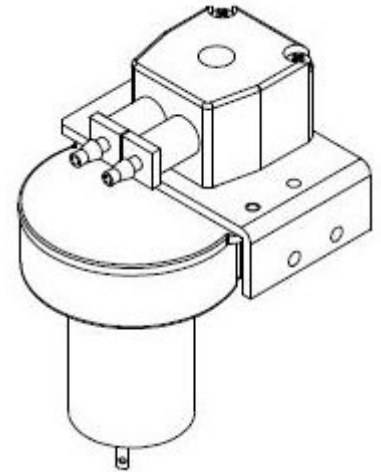
The Williamson Manufacturing Company Ltd provides no warranty on usage of pumps. We recommend that life tests be carried out prior to use. This information is given in good faith and believed to be correct and current at time of publishing. The Williamson Manufacturing Company Ltd cannot accept responsibility for its inaccuracy or any errors or omissions contained herein. Copyright The Williamson Manufacturing Company Ltd 2008

# 100 series DC powered Pumps

Drawing sheet 2, Brushed DC Motors of 120, 150, 220, & 330 rpm (last updated Sept 2011)

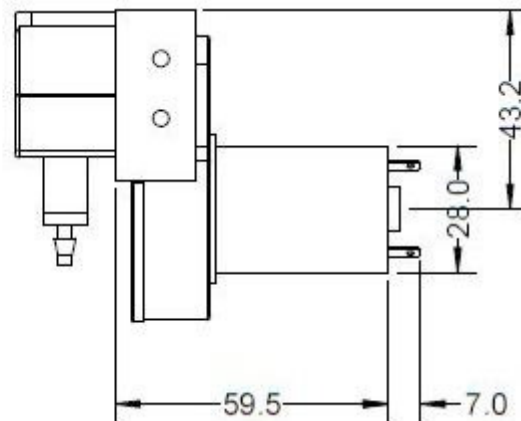
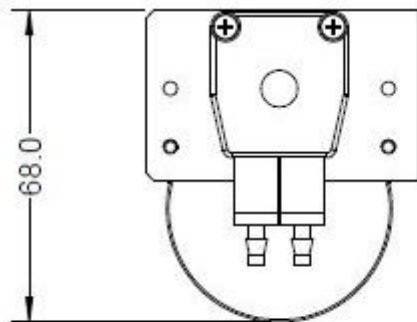


The micro range of peristaltic pumps was designed by the Williamson Manufacturing Company to offer the OEM a low cost compact and reliable means of dosing a wide range of liquids. As with all peristaltic pumps they have excellent suction performance, self-priming up to 5 metres from dry and capable of pumping up to 10m head pressure. Peristaltic pumps offer a good level of accuracy and repeatability and as only the tube contacts the pumped media, they are corrosion resistant, easy to clean and inexpensive to maintain. The 100 series pump heads have an ABS housing, 2 or 4 ground stainless steel rollers, and an acetal roller assembly to ensure durability and performance. Flow rates differ for the 2 and 4 roller assemblies and according to tube size, from <math><1\text{ml}/\text{min}</math> up to 18 ml/min



The easiest way to place an order or check prices is via our online shop at <http://www.williamson-shop.co.uk> but please contact us for any requirements not listed or to place an order over the phone.

Please note the drawing on this sheet illustrates Brushed DC Motors of 120, 150, 220, & 330 rpm.



The Williamson Manufacturing Company Ltd provides no warranty on usage of pumps. We recommend that life tests be carried out prior to use. This information is given in good faith and believed to be correct and current at time of publishing. The Williamson Manufacturing Company Ltd cannot accept responsibility for its inaccuracy or any errors or omissions contained herein. Copyright The Williamson Manufacturing Company Ltd 2008