

TVL2 Series



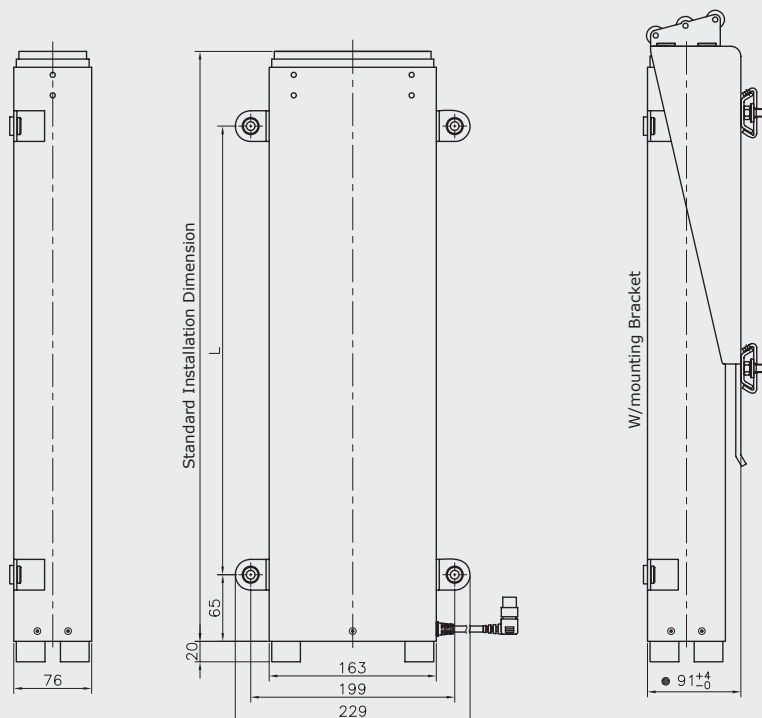
○ Comfort-motion

Feature

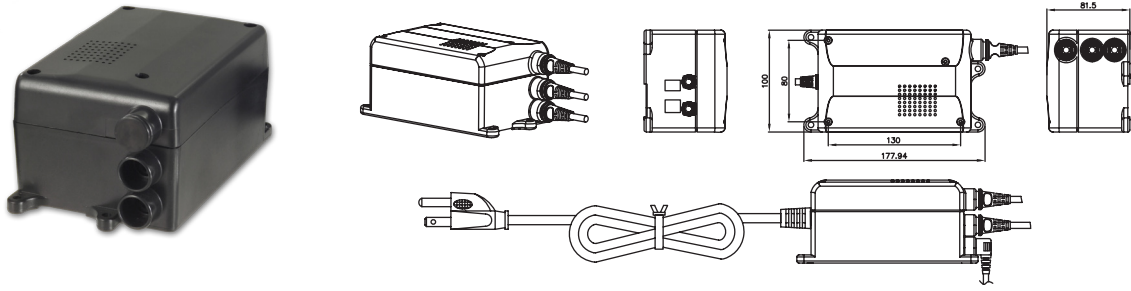
- Compact and solid lifting column, very easy to install, suitable for Plasma/LCD TV up to 60 inches.
- Maximum 60kgs load capacity.
- Maximum 35mm/sec lifting speed.
- The stroke can be adjusted (pre-set in factory).
- Driven by 24VDC motor, achieve quiet and safe operation.
- Equipped with factory preset End-Limit switches.
- Easy operate, 3 buttons IR remote control, with UP/DOWN and MEMORY functions.
- Microprocessor based control box with demonstration program and cycle timer built-in.
- Additional conceal Switch Box (Manual switch box) can operate the system when the IR remote is missing or out of order.

Appendix			
Type	TVL2-series		
Max. load (N)	600N		
Max. speed (mm/sec)	35mm/sec		
Standard installation dimension	795mm	685mm	570mm
Standard stroke length	914mm	780mm	650mm
Mounting dimension (L)	650mm	545mm	430mm

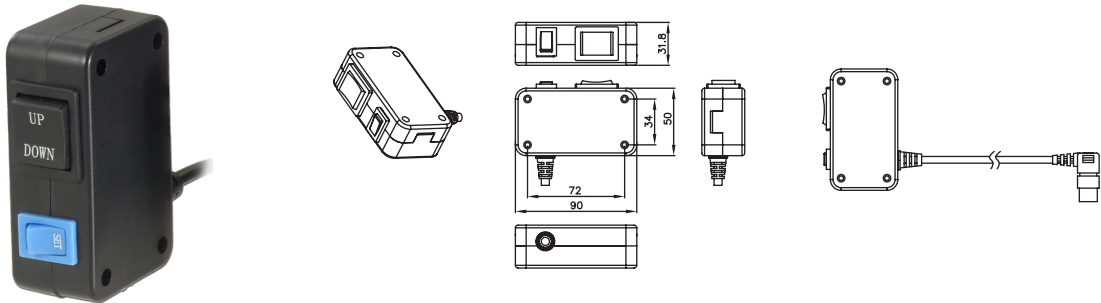
For detailed specifications, please check the full catalog on TIMOTION website : www.timotion.tw



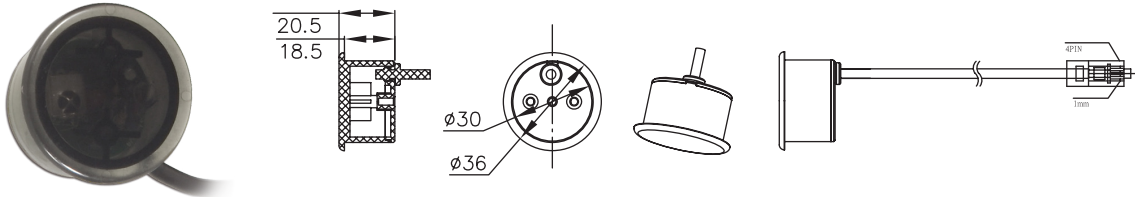
Main Control Box (TC5-Series):



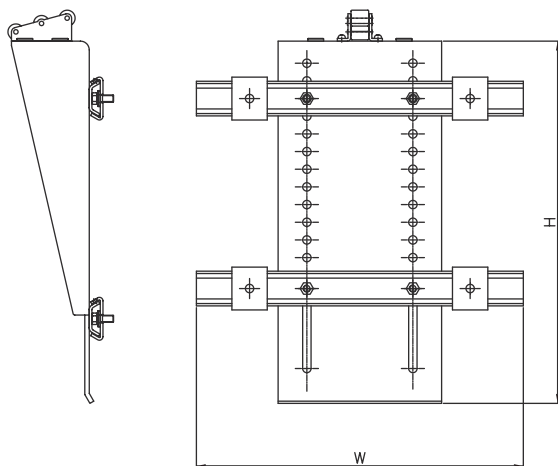
Conceal Switch Box :



IR receiver :



Mounting Bracket (Option):



	W	H
L	760	510
M	660	450
S	550	410

Remote Control :

