

TP8

series



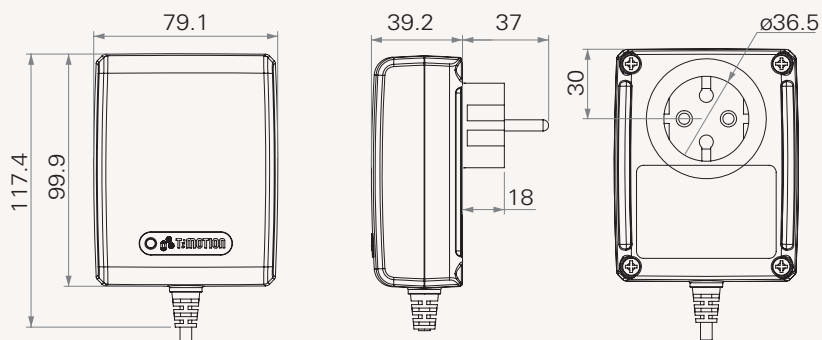
Product Segments

- **Care Motion**

Transformer type	SMPS
Input voltage	100~240V AC
Maximum output	29V DC, 2.5A
Plug support	EU, USA, AUS, UK, JPN, or customized
Color	black or grey
Protection class	IP54 or IP66
Certificate	CB, ES/EN60601-1, and IEC60601-1
Wall mount design	

Drawing

Standard Dimension



Terms of Use

The user is responsible for determining the suitability of TiMOTION products for a specific application.





Due to continuous development in order to improve our products, TiMOTION products are subject to frequent modifications and changes without prior notice.

TiMOTION reserves the right to discontinue the sale of any products displayed on its website or listed in its catalogue or other written materials drawn up by TiMOTION.

TP8 Ordering Key

TP8

Version: 20130510-C

	Plug	1 = EU 2 = USA	3 = AUS 4 = UK	5 = JPN A = Other
Note 1 : #1 is available now. for others, please contact TiMOTION before make an order Note 2 : Using 2.5A/29V transformer				
	Color	1 = Black 2 = Grey (Pantone 428C)		
	Cable Length	1 = Straight, 2000mm; DIN 5pin plug 2 = Straight, 2000mm; 01 plug 3 = Straight, 4000mm; DIN 5pin plug 4 = Straight, 4000mm; 01 plug	5 = Coiled, 1450mm (coiled part: 250mm); DIN 5pin plug 6 = Coiled, 1450mm (coiled part: 250mm); 01 plug A = Customized	
	IP Protection	1 = Without	2 = IP54	3 = IP66