

TP2

series



Product Segments

- **Comfort Motion**
- **Ergo Motion**

Transformer type

Input voltage

Maximum output

Plug support

Color

Option

Certificate

SMPS

100~240V AC

29V DC, 2.5A

EU, USA, AUS, UK, JPN, or customized

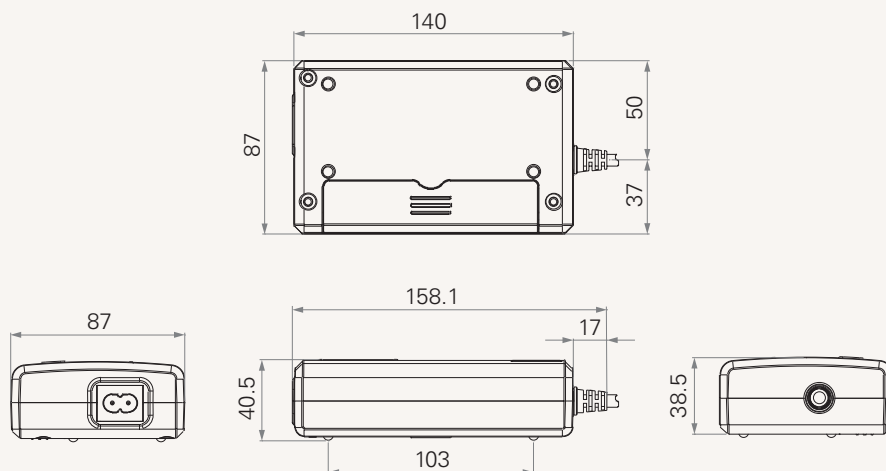
black or grey

backup battery

CE, UL, and CQC

Drawing

Standard Dimension



Terms of Use

The user is responsible for determining the suitability of TiMOTION products for a specific application.

Due to continuous development in order to improve our products, TiMOTION products are subject to frequent modifications and changes without prior notice.

TiMOTION reserves the right to discontinue the sale of any products displayed on its website or listed in its catalogue or other written materials drawn up by TiMOTION.

