

# TJB2

series



## Terms of Use

The user is responsible for determining the suitability of TiMOTION products for a specific application.

Due to continuous development in order to improve our products, TiMOTION products are subject to frequent modifications and changes without prior notice.

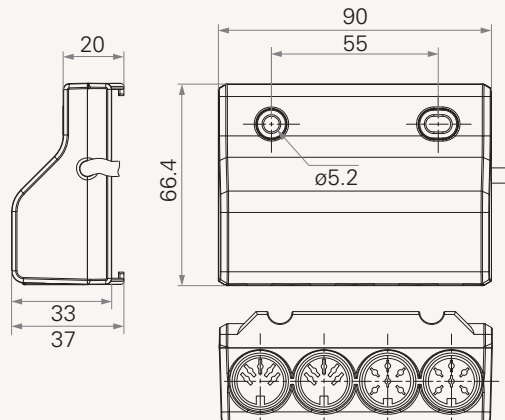
TiMOTION reserves the right to discontinue the sale of any products displayed on its website or listed in its catalogue or other written materials drawn up by TiMOTION.

## General Features

Junction box with 2 actuators and 2 handsets  
Compact design

## Drawing

Standard Dimension



# TJB2 Ordering Key

TJB2

Version: 20130820-C

	<b>Number of Actuators</b>	1 = 1	2 = 2
	<b>Handset Input (Number of Handsets)</b>	1 = 1	2 = 2
	<b>Actuator Input Plug Type</b>	1 = DIN 6pin plug	2 = 01 plug
	<b>Handset Input Plug Type</b>	1 = Short DIN 5pin (240°)	3 = Short DIN 5pin (180°)
	<b>Color</b>	1 = Black	2 = Grey (Pantone 428C)
	<b>Cable Length</b>	1 = Straight, 1000mm, DIN 5pin 2 = Straight, 1000mm, 01 plug	A = Customized