

TGM5

series



Product Segments

- **Care Motion**

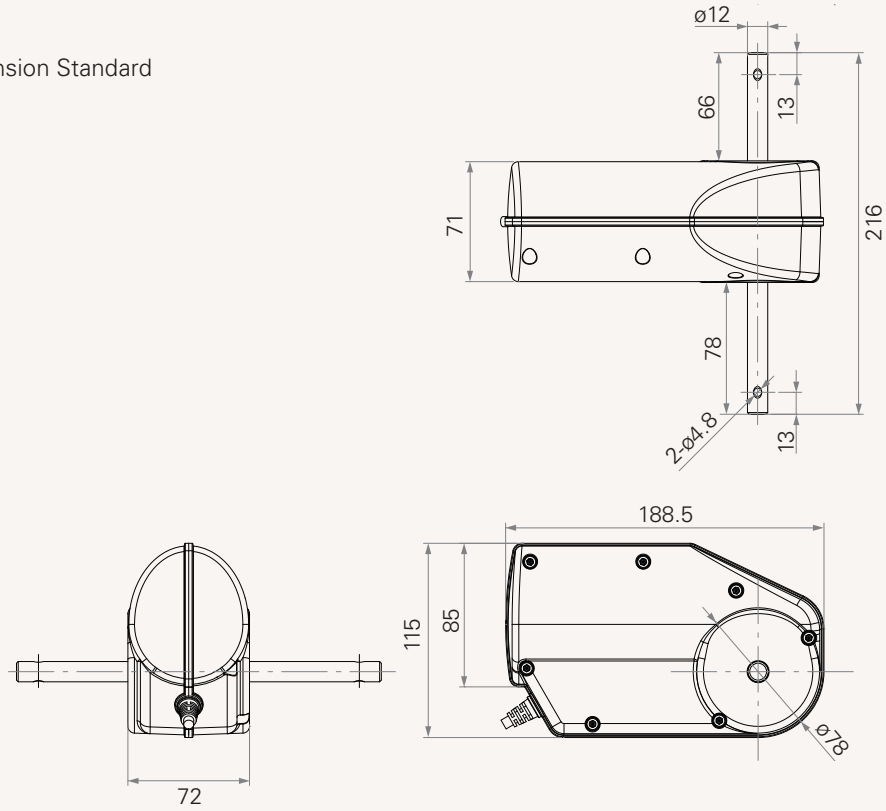
TGM5 is the only gear motor that can be applied on medical application. It is suitable for medical bed, aiming for synchronized lifting and lowering movement, which can also work with other actuator solutions for further advanced functions.

General Features

Voltage of motor	12V DC, 24V DC, or 36V DC
Maximum speed	107RPM ($\pm 5\%$) after gear reduction
Torque	15.0Nm after gear reduction
Protection class	IP54 or IP66
Option	Hall sensor(s)
Hexogen hole for the shaft by 12mm diameter	
Low noise	

Drawing

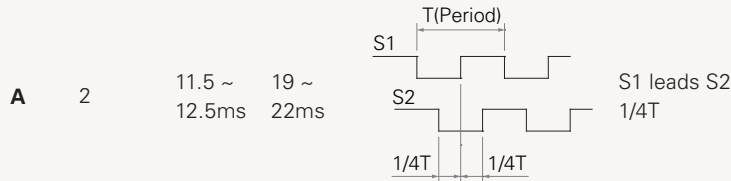
Dimension Standard



Load and Speed

CODE	24V DC Motor Type (RPM)	Gear Ratio	Load (24V DC)			No Load (32V DC)	No Load (24V DC)
			Rated Current (A)	Rated Torque (Nm)	Rated Speed (RPM) ±5%	Speed (RPM) ±5%	Speed (RPM) ±5%
A	5844 (3800RPM)	47	8	15	60	107	80

CODE	Hall Sensor Output Parameters	Waveform	Phase Difference
	Magnet Poles	T (Period) 32V No Load	T (Period) 24V Full Load
		Two Hall Sensors	



Terms of Use

The user is responsible for determining the suitability of TiMOTION products for a specific application.

Due to continuous development in order to improve our products, TiMOTION products are subject to frequent modifications and changes without prior notice.

TiMOTION reserves the right to discontinue the sale of any products displayed on its website or listed in its catalogue or other written materials drawn up by TiMOTION.

TGM5 Ordering Key

TGM5

Version: 20130509-B

<input type="checkbox"/>	Voltage	1 = 12V	2 = 24V	3 = 36V
<input type="checkbox"/>	Load and Speed	See appendix		
<input type="checkbox"/>	Output Signals	0 = Without	1 = One Hall sensor	2 = Two Hall sensors
<input type="checkbox"/>	Motor Brake	0 = Without	M = With	
<input type="checkbox"/>	Direction of Brake	0 = Without	1 = Counterclockwise	2 = Clockwise
<input type="checkbox"/>	Color	1 = Black	2 = Grey (Pantone 428C)	
<input type="checkbox"/>	IP Protection	1 = Without	2 = IP54	3 = IP66
<input type="checkbox"/>	Plug	1 = TiMOTION's standard 6pin plug	2 = Tinned leads	A = Customized
<input type="checkbox"/>	Cable Length	1 = Straight, 500mm	4 = Straight, 1250mm	7 = Coiled, 200mm
		2 = Straight, 750mm	5 = Straight, 1500mm	8 = Coiled, 400mm
		3 = Straight, 1000mm	6 = Straight, 2000mm	A = Customized
<input type="checkbox"/>	Internal Limit Switch	0 = Without	1 = With	