

# TC6

series



---

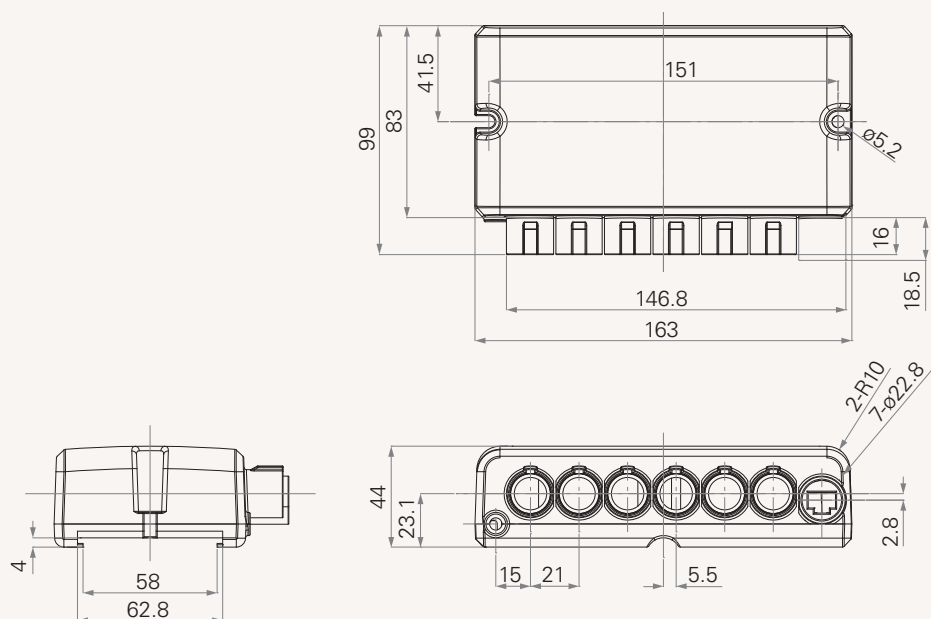
## Product Segments

### • **Comfort Motion**

Number of actuators	1~5
Color	black or grey
Over current protection	
Compatible with	massage motor, air lumbar, reading light, heating pad, or safety strip

## Drawing

Standard Dimension



## Terms of Use

The user is responsible for determining the suitability of TiMOTION products for a specific application.

Due to continuous development in order to improve our products, TiMOTION products are subject to frequent modifications and changes without prior notice.

TiMOTION reserves the right to discontinue the sale of any products displayed on its website or listed in its catalogue or other written materials drawn up by TiMOTION.

# TC6 Ordering Key

TC6

Version: 20130510-B

<input type="checkbox"/>	<b>Number of Actuators</b>	1 = 1 2 = 2	3 = 3 4 = 4	5 = 5
<input type="checkbox"/>	<b>Color</b>	1 = Black	2 = Grey (Pantone 428C)	
<input type="checkbox"/>	<b>Cable Length</b>	1 = Straight, 1000mm	A = Customized	
<input type="checkbox"/>	<b>Plug</b>	1 = Long DIN 5P, 270°	2 = TiMOTION standard 01 plug	
<input type="checkbox"/>	<b>Fixation</b>	1 = On the actuator	2 = On the bracket	
<input type="checkbox"/>	<b>Heat Pad</b>	0 = Without	1 = With	
<input type="checkbox"/>	<b>Reading Light</b>	0 = Without	1 = With	
<input type="checkbox"/>	<b>Air Lumbar Support</b>	0 = Without	1 = With	
<input type="checkbox"/>	<b>Vibration Motor</b>	0 = Without 1 = 1 pair	2 = 2 pairs 3 = 3 pairs	4 = 4 pairs 5 = 5 pairs
<input type="checkbox"/>	<b>Safety Strip</b>	0 = Without	1 = With	