

# TC10

series



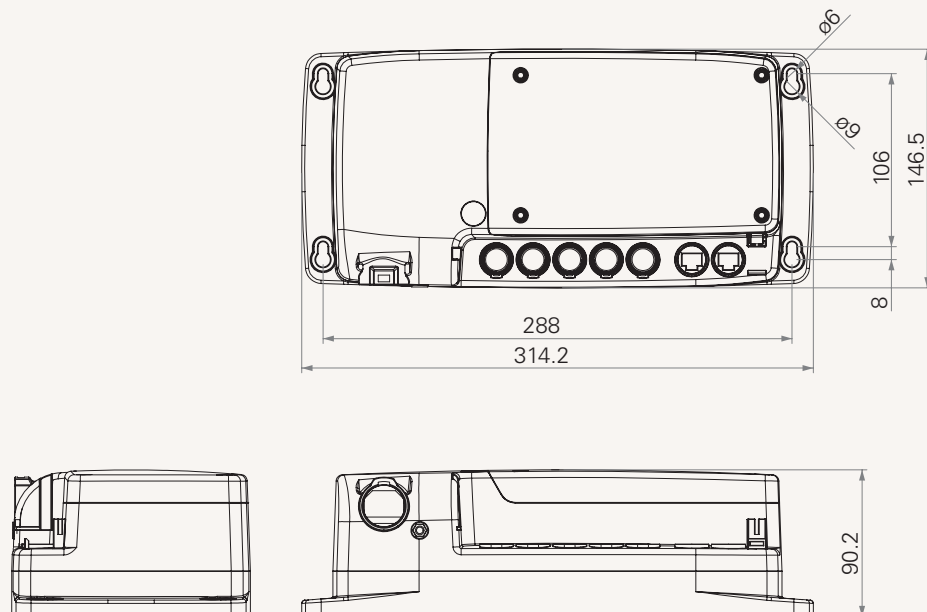
## Product Segments

### • Care Motion

Voltage	100V AC, 120V AC, 230V AC, or 100~240V AC (SMPS)
Built-in transformer type	EI, Toroidal, or SMPS
Maximum output	29V DC, 5.0A
Plug support	EU, USA, AUS, UK, JPN, or customized
Number of actuators	1~5
Number of handsets	1~2
Color	black or grey
Protection class	IP54 or IP66
Certificate	IEC60601-1, ES60601-1, and EN60601-1
Option	built-in battery and alarm buzzer
Built-in power saving module	

## Drawing

Standard Dimension



## Terms of Use

The user is responsible for determining the suitability of TiMOTION products for a specific application.

Due to continuous development in order to improve our products, TiMOTION products are subject to frequent modifications and changes without prior notice.

TiMOTION reserves the right to discontinue the sale of any products displayed on its website or listed in its catalogue or other written materials drawn up by TiMOTION.

# TC10 Ordering Key

## TC10

Version: 20130510-E

<input type="checkbox"/>	<b>Voltage</b>	1 = 100V AC	2 = 120V AC	3 = 230V AC	4 = 100~240V AC (SMPS)
<input type="checkbox"/>	<b>Plug</b>	1 = EU 2 = USA	3 = AUS 4 = UK	5 = JPN A = Others	
<input type="checkbox"/>	<b>Number of Actuators</b>	1 = 1 2 = 2	3 = 3 4 = 4	5 = 5	
<input type="checkbox"/>	<b>Handset Input</b>	1 = 1		2 = 2	
<input type="checkbox"/>	<b>Back Up Battery</b>	0 = Without		1 = With (1.2Ah)	
<input type="checkbox"/>	<b>Color</b>	1 = Black		2 = Grey (Pantone 428C)	
<input type="checkbox"/>	<b>Cable Length</b>	1 = Straight, 2000mm	2 = Straight, 4000mm	A = Customized	
<input type="checkbox"/>	<b>IP Protection</b>	1 = Without	2 = IP54	3 = IP66	
<input type="checkbox"/>	<b>Buzzer</b>	0 = Without		1 = With	
<input type="checkbox"/>	<b>Grounding Function</b>	0 = Without		1 = With	