

TC1

series



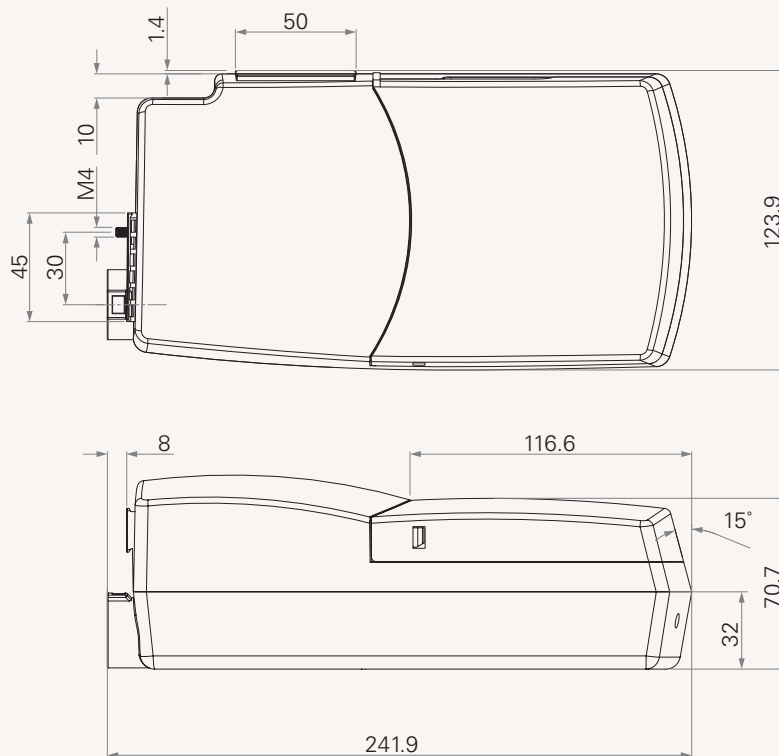
Product Segments

- **Care Motion**

Voltage	100V AC, 120V AC, 230V AC, or 100~240V AC (SMPS)
Built-in transformer type	EI, Toroidal, or SMPS
Maximum output	29V DC, 6.0A
Plug support	EU, USA, AUS, UK, JPN, or customized
Number of actuators	1~4
Color	black or grey
Protection class	IP54 or IP66
Certificate	IEC60601-1, ES/UL60601-1, and FCC

Drawing

Standard Dimension



Terms of Use

The user is responsible for determining the suitability of TiMOTION products for a specific application.

Due to continuous development in order to improve our products, TiMOTION products are subject to frequent modifications and changes without prior notice.

TiMOTION reserves the right to discontinue the sale of any products displayed on its website or listed in its catalogue or other written materials drawn up by TiMOTION.

TC1 Ordering Key

TC1

Version: 20130510-G

<input type="checkbox"/>	Voltage	1 = 100V AC	2 = 120V AC	3 = 230V AC	4 = 100~240V AC (SMPS)
<input type="checkbox"/>	Plug	1 = EU 2 = USA	3 = AUS 4 = UK	5 = JPN A = Others	
<input type="checkbox"/>	Number of Actuators	1 = 1	2 = 2	3 = 3	4 = 4
<input type="checkbox"/>	Color	1 = Black		2 = Grey (Pantone 428C)	
<input type="checkbox"/>	Cable Length	1 = Straight, 2000mm	2 = Straight, 4000mm	A = Customized	
<input type="checkbox"/>	IP Protection	1 = Without	2 = IP54	3 = IP66	
<input type="checkbox"/>	Fixation	1 = On the actuator (TA1) 2 = On the bed frame 3 = On the actuator (TA7)	4 = On the bed frame with a bracket 5 = On the bed frame with brass spacers insert in the cover		
<input type="checkbox"/>	Grounding Function	0 = Without		1 = With	