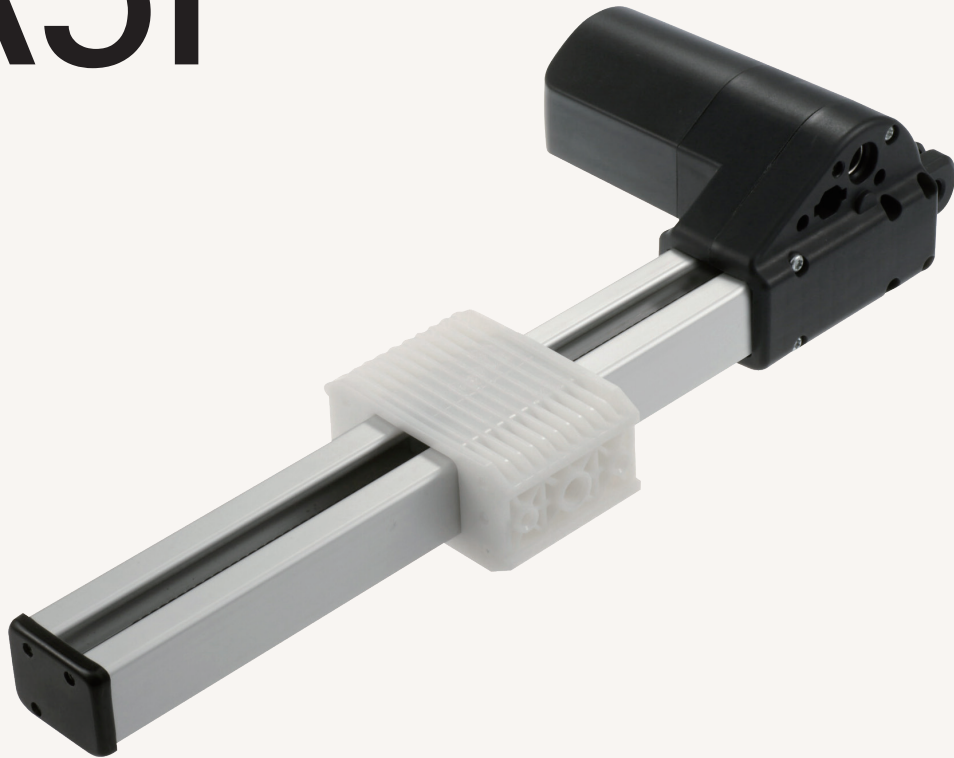


TA5P

series



Product Segments

• Comfort Motion

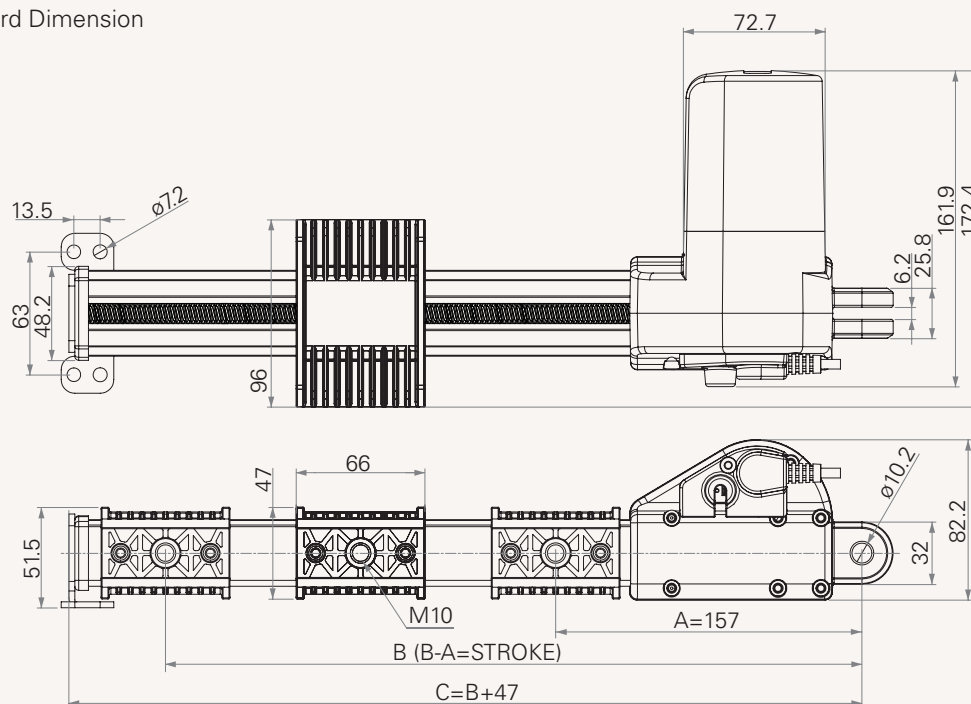
TA5P, compared with TA5, is one-piece aluminum design and it is also a perfect alternative to lifting applications, such as recliner or lifting chair. Besides, the extensive use is assisting the lifting system for a funeral car.

General Features

Voltage of motor	12V DC, 24V DC, or 36V DC
Maximum load	6,000N in push
Maximum load	3,000N in pull
Maximum speed	58.0mm/s
Color	black
Certificate	EMC and RoHS
Option	Hall sensor, L-shaped bracket
Specially designed for recliner	
One-piece design, stronger structure, cable-free	

Drawing

Standard Dimension



Load and Speed

CODE	Rated Load		Self Locking N (PUSH)	Typical Current at Rated Load (A)	Typical Speed	
	PUSH N	PULL N			No Load (32V DC) mm/s	Rated Load (24V DC) mm/s

Motor Speed (2600RPM)

A	750	750	250	4.5	44.5	23.6
C	5000	3000	2500	5.0	7.1	3.9
D	6000	3000	4000	5.0	5.4	2.9
E	3000	3000	1500	4.0	11.0	6.2
F	2500	2500	1000	4.0	15.8	7.8
G	2000	2000	1000	5.0	22.5	13.0
H	1200	1200	350	4.0	33.0	19.0
J	3000	3000	3000	4.5	11.1	5.8

Motor Speed (3400RPM)

L	6000	3000	4000	5.0	7.0	3.9
M	3000	3000	1500	4.8	14.6	8.2
N	2500	2500	1000	4.5	21.0	11.0
O	2000	2000	1000	4.5	29.2	16.0
P	1200	1200	350	5.0	43.5	23.0
Q	3000	3000	3000	5.2	14.5	7.6
S	750	750	250	4.5	58.0	30.0
T	5000	3000	2500	5.0	9.2	4.6

Note

- 1 The left diagram shows the speed and current figures under pushing condition.
- 2 Speed would be the same if with 12V motor, but with double current consumption.
- 3 Options: C/D/E/F/G/J/L/M/N/O/Q/T use metal bearing, and others use plastic bearing.

Terms of Use

The user is responsible for determining the suitability of TiMOTION products for a specific application.

Due to continuous development in order to improve our products, TiMOTION products are subject to frequent modifications and changes without prior notice.

TiMOTION reserves the right to discontinue the sale of any products displayed on its website or listed in its catalogue or other written materials drawn up by TiMOTION.

TA5P

Version: 20130521-D

<input type="checkbox"/>	Voltage	1 = 12V	2 = 24V	3 = 36V
<input type="checkbox"/>	Load and Speed	See appendix		
<input type="checkbox"/>	Stroke			
<input type="checkbox"/>				
<input type="checkbox"/>				
<input type="checkbox"/>	Retracted Length			
<input type="checkbox"/>				
<input type="checkbox"/>				
<input type="checkbox"/>	L-Shaped Bracket on The Front	0 = Without	1 = With	
<input type="checkbox"/>	Functions for Limit Switches	1 = Two switches at the retracted/extended positions to cut current	4 = Two switches at the retracted/extended positions and the third one in between to send signal	
		2 = Two switches at the retracted/extended positions to cut current with the third one in between to send signal		
		3 = Two switches at the retracted/extended positions to send signal	A = Customized	
<input type="checkbox"/>	Output Signals	0 = Without	1 = One Hall sensor	2 = Two Hall sensors
<input type="checkbox"/>	Plug	1 = TiMOTION's standard 6pin plug		2 = Tinned leads A = Customized
<input type="checkbox"/>	Cable Length	0 = Without	3 = Straight, 1000mm	6 = Straight, 2000mm A = Customized
		1 = Straight, 500mm	4 = Straight, 1250mm	7 = Coiled, 200mm
		2 = Straight, 750mm	5 = Straight, 1500mm	8 = Coiled, 400mm