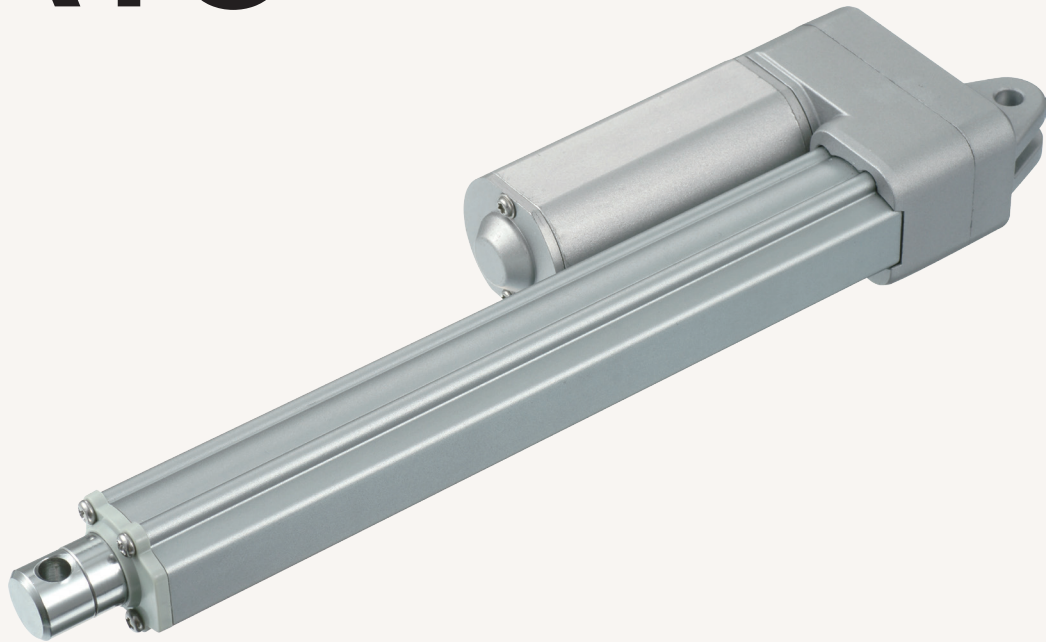


TA16

series



Product Segments

- **Comfort Motion**
- **Care Motion**
- **Ergo Motion**

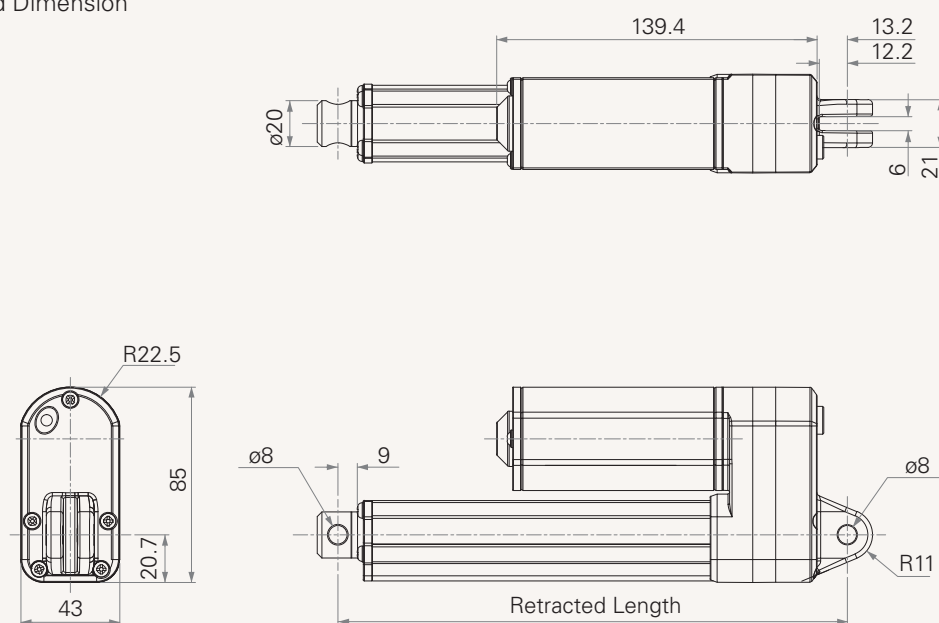
Among our medical actuator solutions, TA16 has the lowest noise level and its compact size is suitable for narrow installation space, such as X-ray machine and monitor machine for medical use. Furthermore, TA16 is also a perfect solution for electric lifting stand, as known as lifting whiteboard.

General Features

Voltage of motor	12V DC or 24V DC
Maximum load	2,500N in push
Maximum speed	19.2mm/s
Minimum installation dimension	stroke+112mm (without output signals)
Color	silver
Protection class	IP54 or IP66
Option	Halls sensor(s)
Very low noise (48db), small size for easy installation	

Drawing

Standard Dimension



Load and Speed

CODE	Rated Load	Typical Current at Rated Load (A)	Typical Speed	
	PUSH N		No Load (32V DC) mm/s	Rated Load (24V DC) mm/s
Motor Speed (2600RPM)				
A	2500	2.8	6.0	3.3
B	2000	3.0	9.6	5.1
C	1500	2.8	13.5	7.5
D	1000	2.8	19.2	10.7

Minimum Retracted Length

Stroke Without Output Signals

Front Attachment 1,2,3

20~150mm	Stroke+112mm
151~250mm	Stroke+120mm
251~350mm	Stroke+125mm

Front Attachment 4,5,6

20~150mm	Stroke+122mm
151~250mm	Stroke+130mm
251~350mm	Stroke+135mm

Terms of Use

The user is responsible for determining the suitability of TiMOTION products for a specific application.

Due to continuous development in order to improve our products, TiMOTION products are subject to frequent modifications and changes without prior notice.

TiMOTION reserves the right to discontinue the sale of any products displayed on its website or listed in its catalogue or other written materials drawn up by TiMOTION.

Additional retracted length

TA Series	Safety Stroke Limit (mm)	Additional Stroke (mm)	Additional Invalid Length (mm)
TA1	300	0<additional stroke≤50	5
TA1 (6000N)	200	0<additional stroke≤50	5
TA1 (8000N) up	150	0<additional stroke≤50	5
TA2	300	0<additional stroke≤50	10
TA2P	300	0<additional stroke≤50	10
TA4	200	0<additional stroke≤50	5
TA6	300	0<additional stroke≤50	5
TA6 (6000N)	200	0<additional stroke≤50	5
TA7	300	0<additional stroke≤50	5
TA7 (6000N)	200	0<additional stroke≤50	5
TA7 (8000N) up	150	0<additional stroke≤50	5
TA9	200	0<additional stroke≤50	5
TA10	300	0<additional stroke≤50	5
TA10 (6000N)	200	0<additional stroke≤50	5
TA12	300	0<additional stroke≤50	10
TA12 (7000N)	300	0<additional stroke≤50	10
TA12 (12000N)	300	0<additional stroke≤50	10
TA13	300	0<additional stroke≤50	10
TA16	200	0<additional stroke≤50	5

Note

- 1 Above stroke recommendation is based on safety stroke limit, for each additional 50mm stroke, it needs to add 5mm for the retracted length.

For example

- 1 If TA9's stroke is 201mm, the retracted length = 201mm+invalid length+5mm.
 2 If TA9's stroke is 300mm, the retracted length = 300mm+invalid length+10mm.

TA16 Ordering Key

TA16

Version: 20130502-B

<input type="checkbox"/>	Voltage	1 = 12V	2 = 24V	
<input type="checkbox"/>	Load and Speed	See appendix		
<input type="checkbox"/>	Stroke			
<input type="checkbox"/>				
<input type="checkbox"/>				
<input type="checkbox"/>	Retracted Length	See appendix		
<input type="checkbox"/>		Note : before selecting retracted length, please refer to the additional retracted length chart		
<input type="checkbox"/>				
<input type="checkbox"/>	Rear Attachment	1 = Hole 6.4mm, slot 6mm	2 = Hole 8mm, slot 6mm	3 = Hole 10mm, slot 6mm
<input type="checkbox"/>	Front Attachment	1 = Hole 6.4mm 2 = Hole 8mm 3 = Hole 10mm 4 = U clevis, slot 6mm, depth 13mm, hole 6.4mm	5 = U clevis, slot 6mm, depth 13mm, hole 8mm 6 = U clevis, slot 6mm, depth 13mm, hole 10mm A = Customized	
<input type="checkbox"/>	Direction of Rear Attachment	1 = 90°		2 = 0°
<input type="checkbox"/>	IP Protection	1 = Without	2 = IP54	3 = IP66
<input type="checkbox"/>	Functions for Limit Switches	1 = Two switches at the retracted/extended positions to cut current 2 = Two switches at the retracted/extended positions to cut current with the third one in between to send signal		3 = Two switches at the retracted/extended positions to send signal 4 = Two switches at the retracted/extended positions and the third one in between to send signal A = Customized
<input type="checkbox"/>	Special Functions for Spindle Sub-Assembly	0 = Without (standard)		2 = Standard push only
<input type="checkbox"/>	Output Signals	0 = Without	1 = POT	4 = One Hall sensor 5 = Two Hall sensors
		Note : #1 sample order is available and it needs to add 36mm retracted length		
<input type="checkbox"/>	Plug	1 = TiMOTION's standard 6pin plug		2 = Tinned leads A = Customized
<input type="checkbox"/>	Cable Length	0 = Straight, 100mm 1 = Straight, 500mm 2 = Straight, 750mm	3 = Straight, 1000mm 4 = Straight, 1250mm 5 = Straight, 1500mm	6 = Straight, 2000mm 7 = Coiled, 200mm 8 = Coiled, 400mm A = Customized